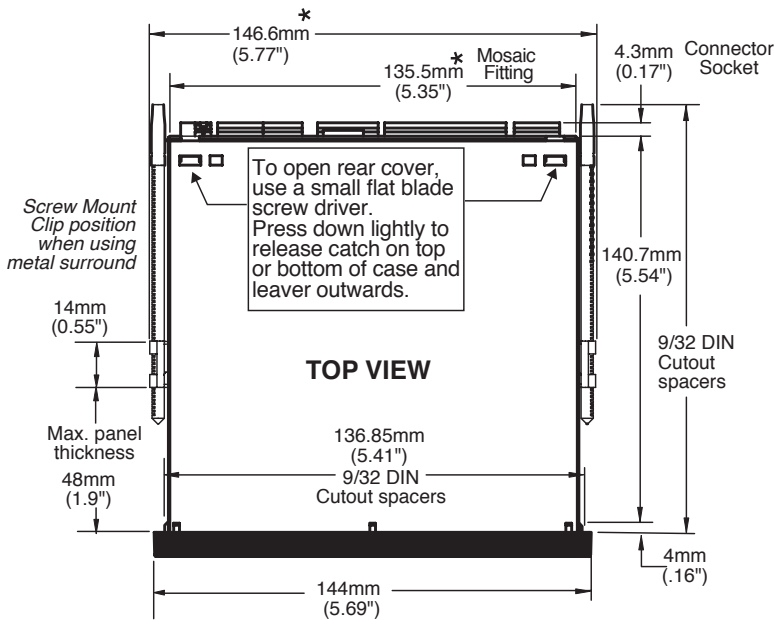
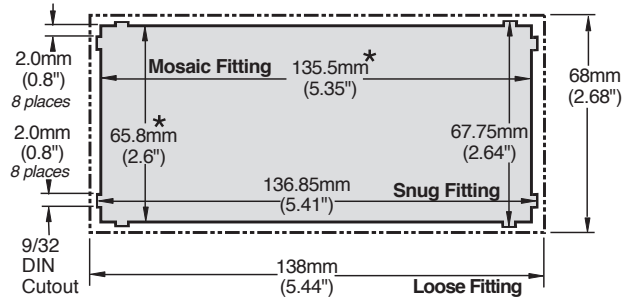


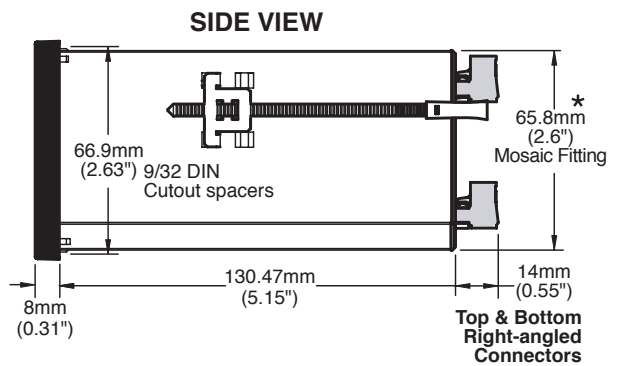
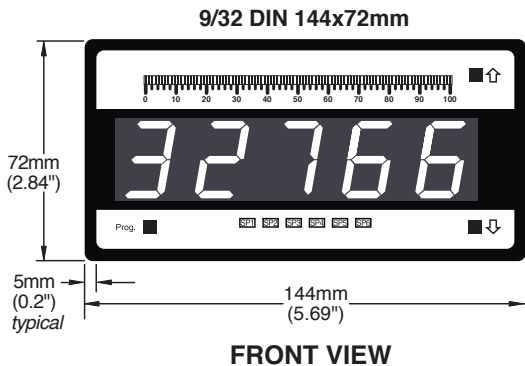
9/32 DIN 144x72mm (5.69"x2.84") Case Dimensions and Panel Cutout



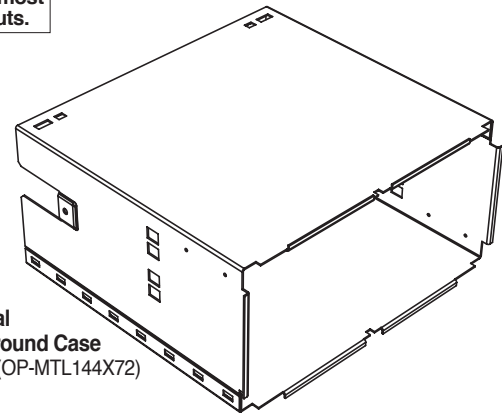
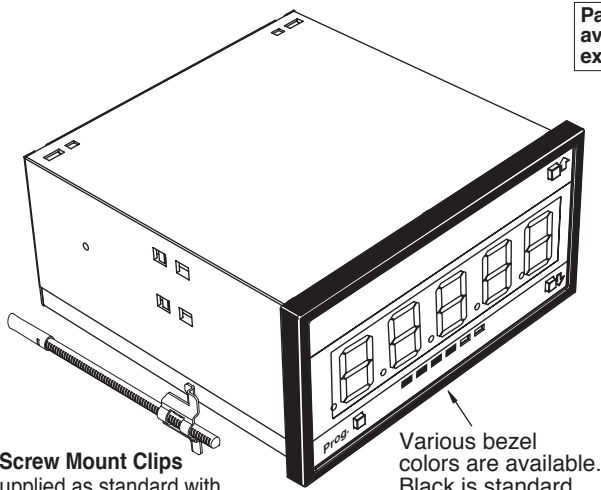
PANEL CUTOUT
 Case will mount in standard DIN cutouts



*These dimensions are increased by 2mm (0.08") when the metal surround case is installed.



Panel adaptor plates are available to retrofit most existing panel cutouts.



NOTE: The Metal Surround Case is pre-installed at the factory and cannot be removed without damage to the case.