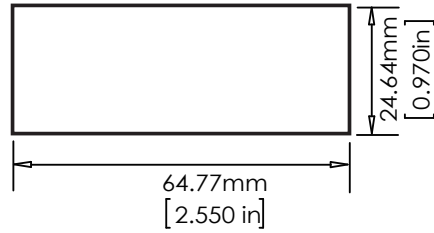
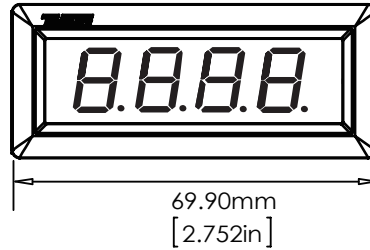


Dashboard Case Dimensions for AM, CM, PM, SM, TM and SP meter series

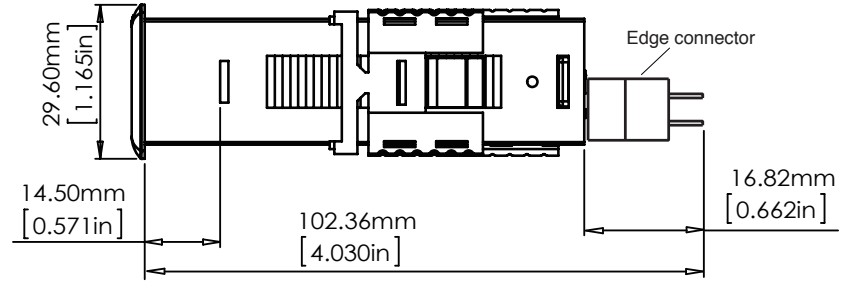
PANEL CUTOUT



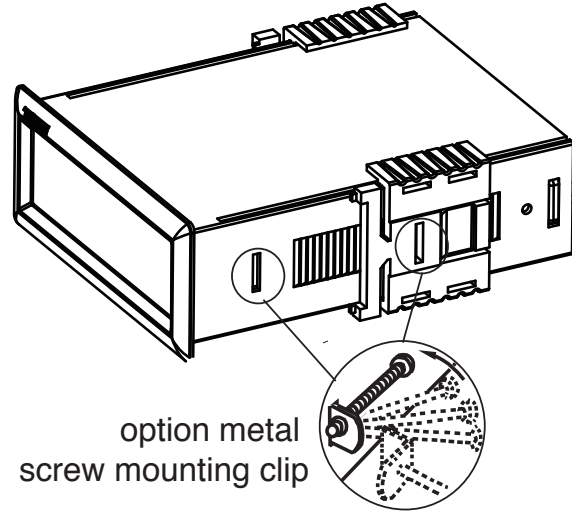
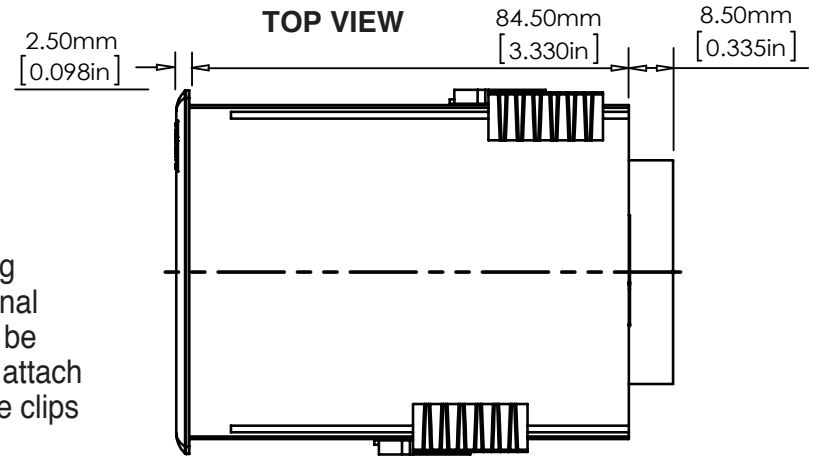
FRONT VIEW



SIDE VIEW



TOP VIEW



When extra panel mounting tightness is required, optional Screw Mounting Clips can be purchased seperately and attach to the sliding mounting side clips

option metal screw mounting clip