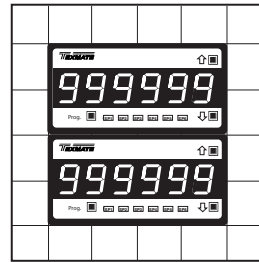
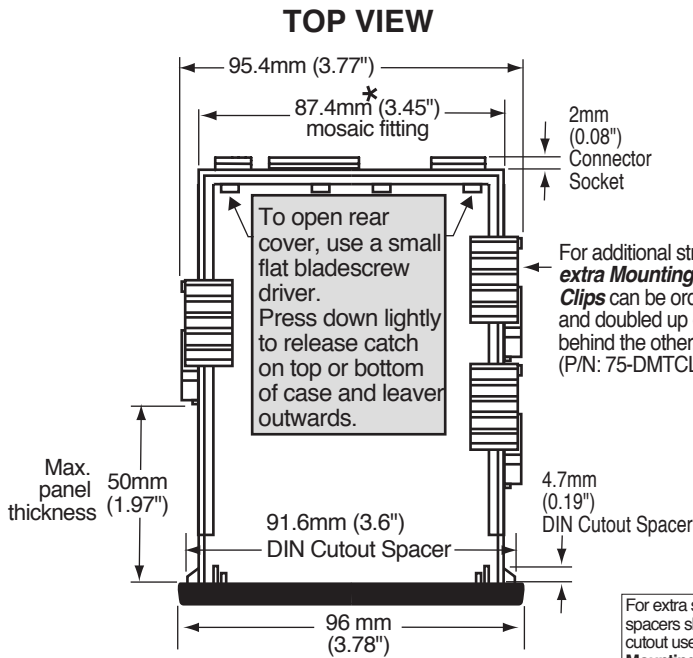
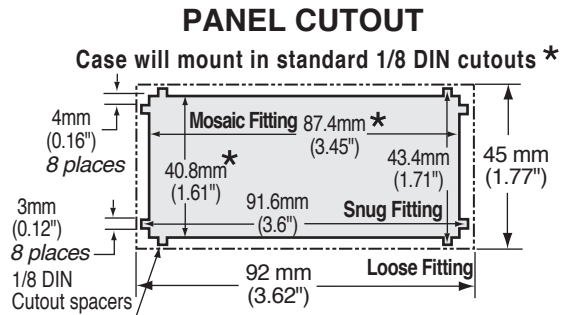


1/8 DIN 96x48mm (3.78"x1.89") Case Dimensions and Panel Cutout

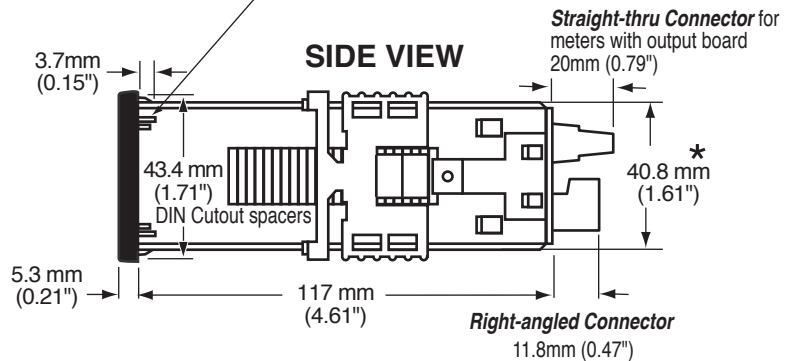
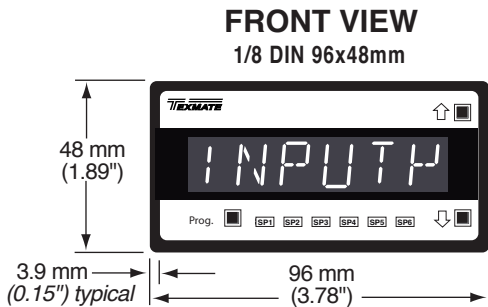


The 96x48mm case is particularly suitable for mounting in mosaic panels or insulative panels up to 2" thick. They can also stack mount, 2 up in existing cutouts for 1/4 DIN (96x96mm) or 4 up in 1/2 DIN (96x192mm).



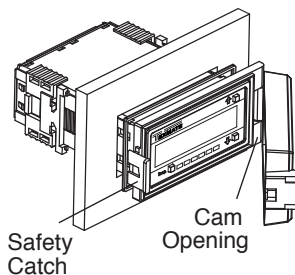
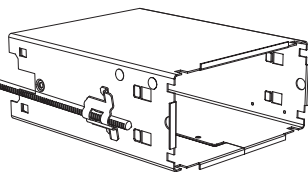
*These dimensions are increased by 1.6mm (0.06") when the **metal surround case** is installed.

For extra strength in portable applications, the 8 DIN spacers should be snipped off and the **Mosaic fitting** cutout used. Alternatively, the **High Strength Panel Mounting Kit** (Part # OP-PMA96X48) can be used.



NOTE: The Metal Surround Case is pre-installed at the factory and cannot be removed without damage to the case.

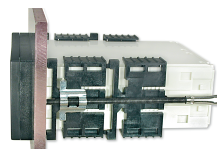
Metal Surround Case
P/N:(OP-MTL96X48) uses Metal Screw Mount Clips and has a max. panel thickness mounting of 15.5 mm (0.61").



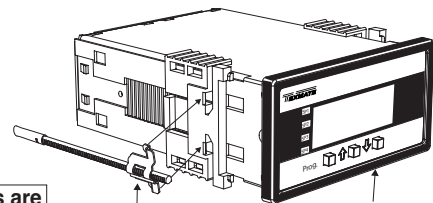
Clear Lockable NEMA 4X Splash Proof Cover
P/N:(OP-N4/96x48)

Removable Key-lock

Panel adaptor plates are available to retrofit most existing panel cutouts.



High Strength Panel Mounting Kit
P/N: OP-PMA96X48



When extra panel mounting tightness is required, order the optional **screw mount clip**.
P/N:(OP-MTLCLIP)

Various bezel colors are available. Black is standard.