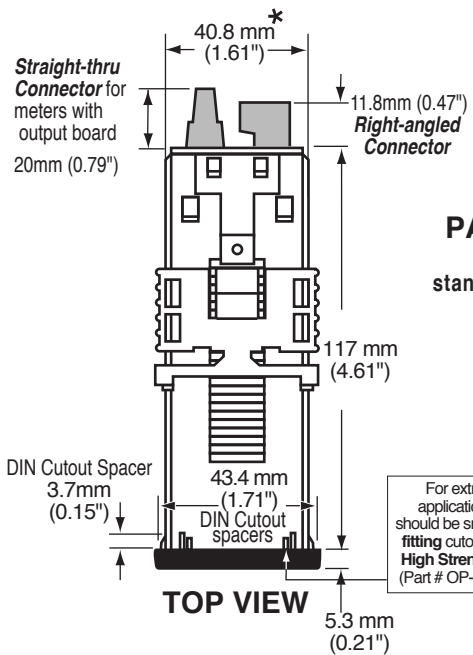


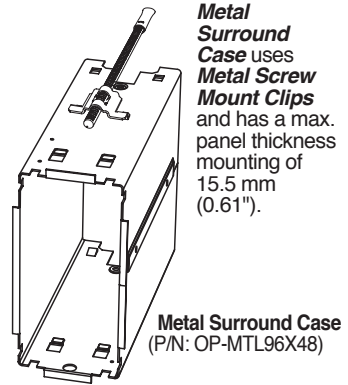
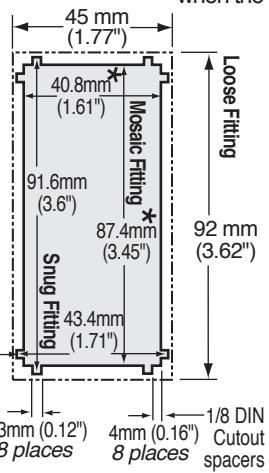
**1/8 DIN 48x96mm (3.78"x1.89") Case Dimensions and Panel Cutout**



**PANEL CUTOUT**  
Case will mount in standard 1/8 DIN cutouts

For extra strength in portable applications, the 8 DIN spacers should be snipped off and the **Mosaic fitting** cutout used. Alternatively, the **High Strength Panel Mounting Kit** (Part # OP-PMA96X48) can be used.

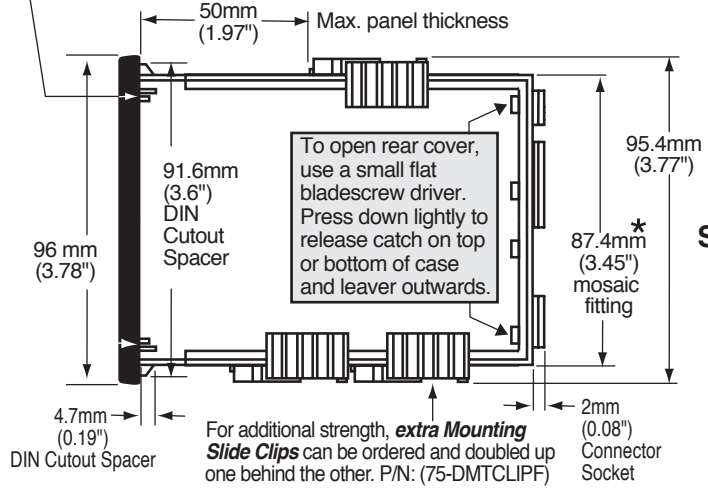
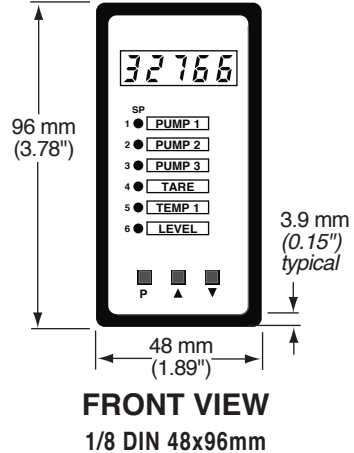
\*These dimensions are increased by 1.6mm (0.06") when the **metal surround case** is installed.



**Metal Surround Case** uses **Metal Screw Mount Clips** and has a max. panel thickness mounting of 15.5 mm (0.61").

**Metal Surround Case** (P/N: OP-MTL96X48)

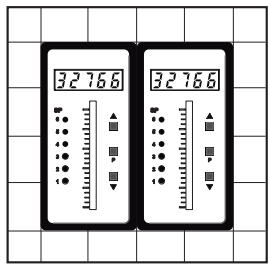
NOTE: The Metal Surround Case is pre-installed at the factory and cannot be removed without damage to the case.



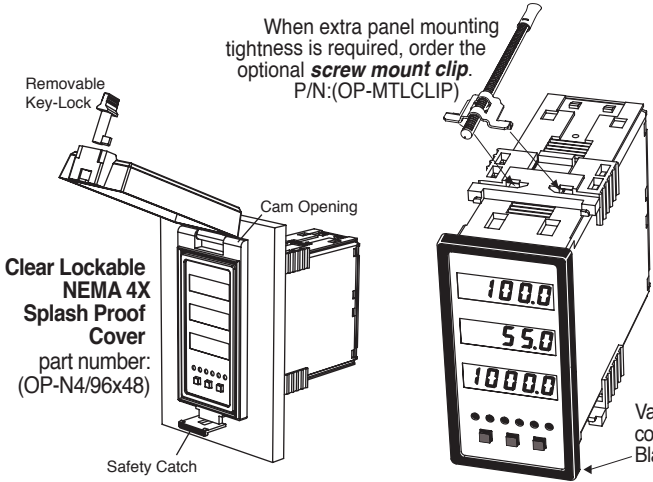
**SIDE VIEW**

To open rear cover, use a small flat bladescrew driver. Press down lightly to release catch on top or bottom of case and lever outwards.

For additional strength, **extra Mounting Slide Clips** can be ordered and doubled up one behind the other. P/N: (75-DMTCLIFF)



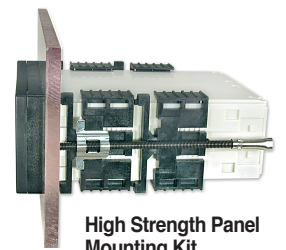
The 96x48mm case is particularly suitable for mounting in mosaic panels or insulative panels up to 2" thick. They can also stack mount, 2 up in existing cutouts for 1/4 DIN (96x96mm) or 4 up in 1/2 DIN (96x192mm).



**Clear Lockable NEMA 4X Splash Proof Cover**  
part number: (OP-N4/96x48)

When extra panel mounting tightness is required, order the optional **screw mount clip**. P/N:(OP-MTLCLIP)

**Panel adaptor plates are available to retrofit most existing panel cutouts.**



**High Strength Panel Mounting Kit**  
P/N: OP-PMA96X48

Various bezel colors are available. Black is standard.