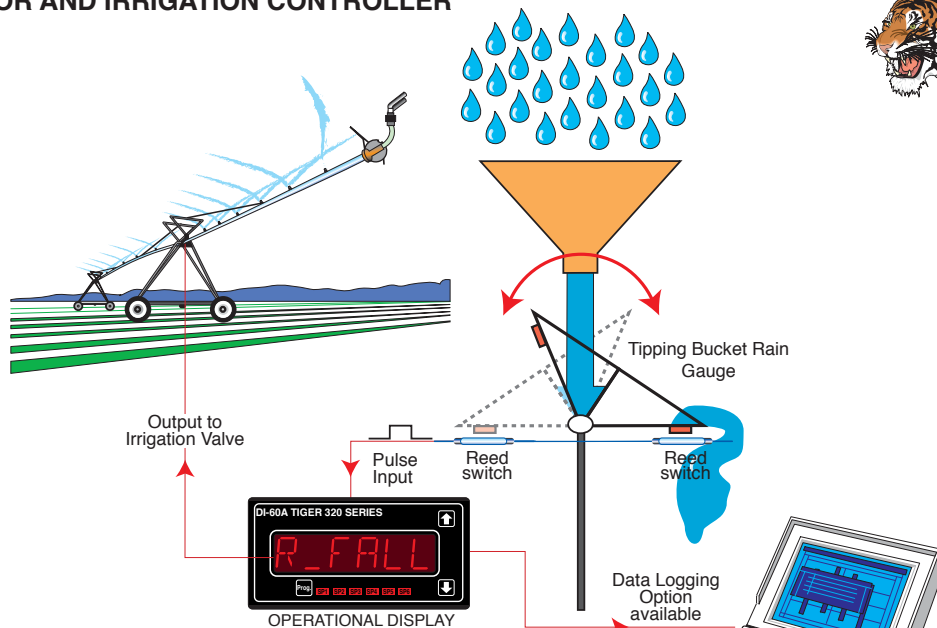


Outdoor growers in intermittent or low rainfall areas require irrigation controllers. The controller input is usually from a tipping bucket rain gauge or a flow sensor.

Control requirements: If more than X amount of rain falls within a programmed time, the irrigation cycle is interrupted. If Y amount more rain falls within the programmed Off-time, the irrigation cycle is interrupted for a longer time.

The DI-60A controller with alphanumeric display uses the Tiger 320 Series register reset functions to reset timers and relays during setpoint activation and deactivation. Text messaging allows ease of control and setpoint identification while all the control parameters are easily programmable by the operator. Timer reset functions are automatic with optional manual override. A custom smart app can be installed in the controller to further enhance the control functions.

SMART RAIN MONITOR AND IRRIGATION CONTROLLER

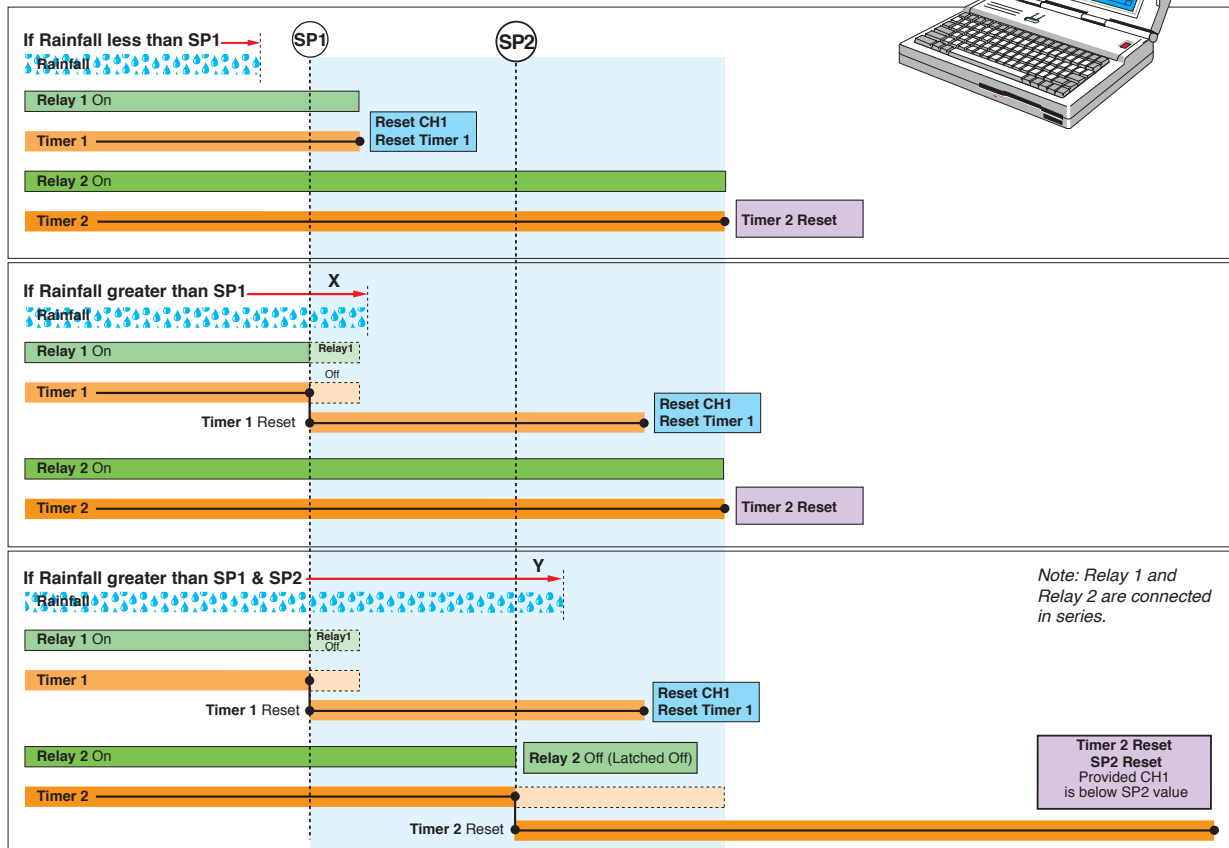


APPLICATION FUNCTIONS	
SETPOINT CONTROL & REGISTER RESET	
RELAY OUTPUTS	
TIMERS	
SERIAL OUTPUTS	
REGISTER RESETS	
TOTALIZERS	
CALCULATIONS	
SEQUENCE CONTROLS	

TEXT MESSAGING

INPUTS

FREQUENCY Pulse, Counter



Suggested Ordering Code Options for This Application

Basic Order Codes	Comments
DI-60AT-DR-PS1-IF10-OR12-S2	Alphanumeric scrolling display. Serial Comm to log Data
Note: Custom Smart App required. Charges vary depending on application. Contact Texmate.	