



Optional Ratcheting Mounting Side Clips

3 1/2 DIGIT with 0.4" LED

PM-35U

Standard Range 2V

3 Optional DC Input Ranges from 200mV to 200V

A Low Cost Easy To Use General Purpose Meter

General Features

The PM-35U Digital Panel Meter is an economical, high performance instrument incorporating a number of features usually found only on more expensive meters. Utilizing the dual slope method of integration, the unit measures differential and single-ended DC voltages over five user selectable ranges from 199.9mV to 199.9V full scale.

Maximum resolution is 100µV over ±1999 counts. Provision is made for user connections to provide various operating modes, including a ratiometric voltmeter, current meter, ratiometric ohmmeter, and a temperature difference meter.

The true differential input capability of the Model PM-35U is particularly useful for making accurate measurements of very small signals in the presence of much larger common mode signals.

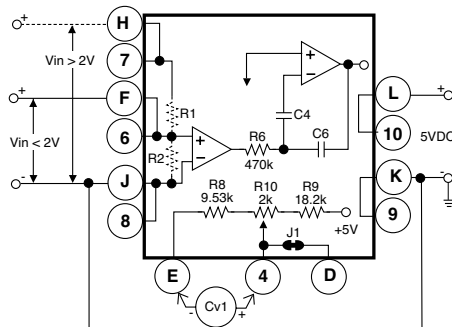
Because of its high noise immunity, it is also ideal for measuring various balanced transducers and bridge inputs. When measuring bridge circuits, long term drift of the excitation voltage can be compensated for by using the ratiometric voltmeter mode of operation.

Typical Application Connections

SINGLE-ENDED METER- 200mV Range, >2V Range 200mV Range:

1) Change R6 from 470k to 47k, ±5%; 2) Change R9 from 18.2k to 26.7k, ±1%; 3) Remove R8 (9.53k) and short with a jumper; 4) It is recommended that C4, C5 and C7 be changed to 0.22mF; 5) Adjust R10 until CV1=100mV.

>2V Range: Install R1 and R2 as specified under section titled Useful Tables.



View more application connections and connection instructions on page 3.

Specifications

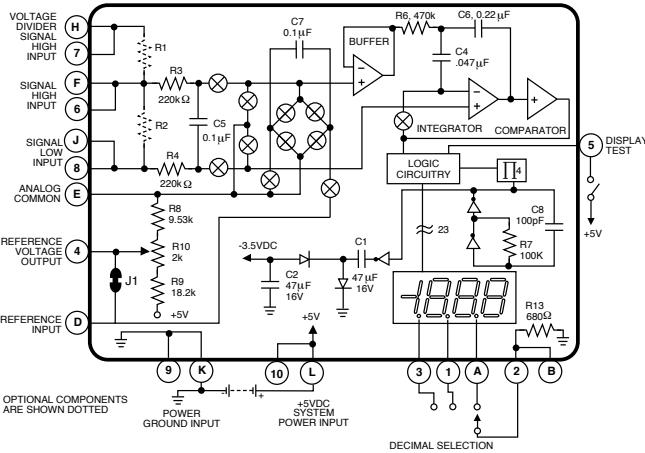
- Input Configuration:**.....True differential and single-ended
- Full Scale Ranges:**±199.9mVDC
 ±1.999VDC (standard)
 ±19.99VDC
 ±199.9VDC
- Input Impedance:**.....Exceeds 1000MΩ on 200mV and 2V ranges; 10MΩ on all other ranges
- Input Protection:**.....±250VDC or 175VAC maximum on 200mV and 2V ranges; ±1200VDC or 850VAC on all other ranges
- Accuracy:**±(0.1% of reading + 1 digit)
- Temperature Coefficient:** ..5PPM/°C in ratiometric operation; 80 to 100PPM/°C using internal reference on 200mV and 2V ranges
- Warm Up Time:**2 minutes to specified accuracy
- Conversion Rate:**.....3 readings per second nominal
- Display:**.....0.4" LED
- Decimal Selection:**User programmable to 3 positions
- Overrange Indication:** ...When input exceeds full scale on any range being used, most significant "1" digit & polarity symbol are displayed with all other digits blank
- Power Requirements:** ...+4.5 to +5.5VDC at 200mA max.
- Operating Temperature:**.....0° to +60°C
- Storage Temperature:** ...-20° to +70°C
- Relative Humidity**95% (non-condensing)
- Case Dimensions:**Bezel 2.76" x 1.17" (69.75 x 29.7mm)
 Depth behind Bezel 3.32"(84mm)
 plus 0.68" (17.27mm) for connector.
- Weight:**.....88 gms (3.1 oz)

PM-Series, high performance versatility for a wide range of applications

PM-35A.....3.5 digit Red LED, Precision Preference, 2VDC, 5VDC Power
 PM-35U.....3.5 digit Red LED, Low Cost, 2VDC, 5VDC Power

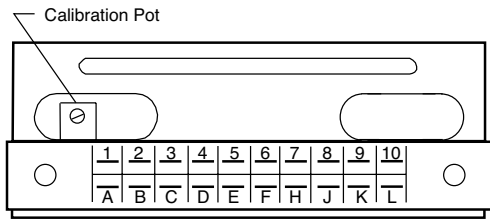
PM-45L.....4.5 digit Red LED, Precision Meter w/Differential Input
 PM-45X4.5 digit LCD, Precision Meter w/Differential Input
 PM-45XU.....3.5 digit LCD, Low Cost Meter w/Differential Input

Functional Diagram



Connector Pinouts

The Texmate Model PM-35U interconnects by means of a standard PC board edge connector having two rows of 10 pins, spaced on 0.156" centers. Connector are available from Texmate, or from almost any connector manufacturer. Provision has also been made for direct solder termination to the PC board, thus eliminating the need for a connector. Please note that the warranty will be void if there is any damage due to soldering.



Component Side	Solder Side
DECIMAL SELECT (1X.XX) 1	A DECIMAL SELECT (1XX.X)
DECIMAL SELECT COMMON 2	B DECIMAL DECIMAL SELECT COMMON
DECIMAL SELECT (1.XXX) 3	C
REFERENCE VOLTAGE OUTPUT 4	D REFERENCE INPUT
DISPLAY TEST 5	E ANALOG COMMON
SIGNAL HIGH INPUT 6	F SIGNAL HIGH INPUT
VOLTAGE DIVIDER SIGNAL HIGH INPUT 7	H VOLTAGE DIVIDER SIGNAL HIGH INPUT
SIGNAL LOW INPUT 8	J SIGNAL LOW INPUT
POWER GROUND INPUT 9	K POWER GROUND INPUT
+5VDC SYSTEM POWER INPUT 10	L +5VDC SYSTEM POWER INPUT

CAUTION: This meter employs high impedance CMOS inputs. Although internal protection has been provided for several hundred volt overloads, the meter will be destroyed if subjected to the high kilovolts of static discharge that can be produced in low humidity environments. Always handle the meter with ground protection.

Pins A, 1 and 3- Decimal Select: Decimal points may be displayed as required by connecting appropriate pin to Decimal Select Common Pins B or 2.

Pins B and 2- Decimal Select Common: Decimal points are displayed as required by connecting Pins B or 2 to the appropriate Decimal Select Pins A, 1, or 3.

Pin D- Reference Input: Reference voltage input for A to D converter. Normally supplied from Reference Voltage Output Pin 4 which is internally jumpered to Pin D by way of Junction J1. Pin D may be used as an input for ratiometric measurements. Minimum usable voltage is .05VDC with +4.0VDC being the maximum.

Pin E- Analog Common: 2.8V output referenced to +5V System Power Input L, approximately +2.2V output referenced to Power Ground Input Pin K.

Pins F and 6- Signal High Input: Signal high input of A to D converter. Maximum overvoltage protection is 250VDC or 175VAC.

Pins H and 7- Voltage Divider Signal High Input: Signal high input for voltages that require attenuation or scaling. Dividing resistors R1 and R2 may be mounted internally for voltages up to 200V

max. Matched dividing resistors for 2V (1/10) and 200V (1/100) ranges are available from Texmate. Shunt resistors for current measurements up to 200mA may be internally mounted in the R2 position. The current loop is then applied to Signal High Input Pin F and returned through Pin J or Pin 8.

Pins J and 8- Signal Low Input: Signal low input of A to D converter. Maximum overvoltage protection is 250VDC or 175VAC.

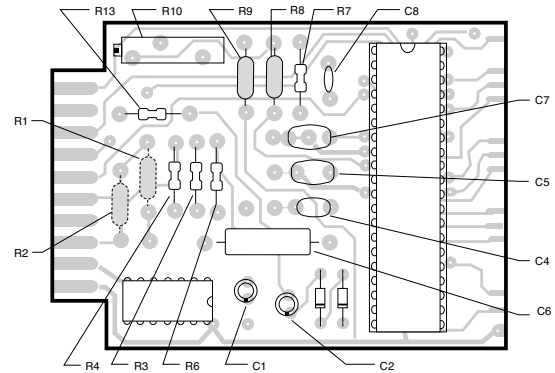
Pins K and 9- Power Ground Input: Negative terminal of +5VDC power should be connected to Pin 9. All digital signals, decimal points, display test, and overrange should be returned to this ground point.

Pins L and 10- +5VDC System Power Input: Meter requires regulated ($\pm 10\%$) 5VDC power at approximately 200mA.

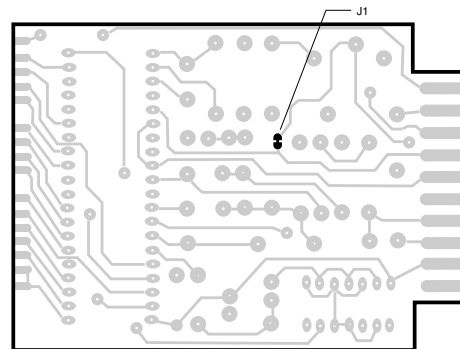
Pin 4- Reference Voltage Output: Internal precision voltage reference. Standard output is 1.000V, adjustable to $\pm 5\%$ by R10 potentiometer. Usable voltages from .05V to 2.8V for special high impedance scaling can be obtained by changing the value of internal dividing resistors R8 and R9.

Pin 5- Display Test: All segments will light up when Pin 5 is connected to +5VDC System Power Input Pin L or Pin 10.

Component Layout



COMPONENT SIDE



SOLDER SIDE

Signal Conditioning Components

SPAN **SPAN Potentiometer (Pot)**

To the Right Front Turn Clockwise to Increase Reading

The SPAN pot is on the right side of the display. Typical adjustment is 20% of the input signal range.


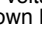

Calibration Procedure

Apply power to the meter. Then with a precision DC reference source, apply +1.900VDC between the Signal High Input Pin F and the Signal Low Input Pin J. Adjust R10 potentiometer (on left side as viewed from rear) until the display reads +1.9900V. **Note:** The voltage applied in this case is for a $\pm 1.999V$ F.S. meter. For other ranges, the voltage applied should be similarly proportionate to the particular full scale voltage.

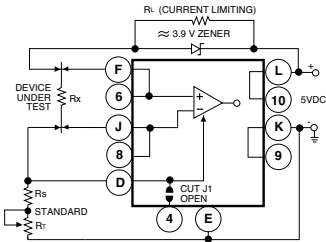
Typical Application Connections

The PM-35U may be used in a wide variety of configurations. The following circuits illustrate some of the possibilities and demonstrate the exceptional versatility of Texmate products. Components called for in the applications which are not part of the standard meter may be supplied by the user or in some cases purchased from Texmate. The circuit diagrams explain the basic pinout connections required for each application. Unless otherwise specified, the diagrams will show the component values and solder junctions that would normally be installed on a standard 2V range meter. For those applications which have alternative ranges and/or input configurations, the required component values and any modifications are

described in the text.

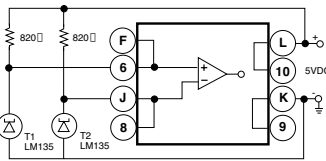
NOTE: Use of these application circuits is entirely at the risk and responsibility of the user and any user modification of the meter may be at the discretion of Texmate, void the warranty. (See rear page for user's responsibility and warranty details) The following legend applies to all application circuits: 1) optional component positions are shown in dotted lines; 2) internal solder junctions are shown by  for a closed junction or  for an open junction; 3) calibration voltages as measured by an external user supplied voltmeter are shown by 

"NOTE: PM-35U meters are intended for use by skilled end users and support "DIY" features that may permanently modify the product involved. Texmate CAN NOT provide detailed technical support or use notes beyond what is covered in our documentation and warranty coverage will only apply to meters in an unmodified condition. Repair, maintenance, and calibration through Texmate are available as a paid service through our website or by sending an RMA request to "techsupport@texmate.com"."



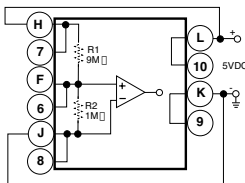
DIFFERENTIAL RATIO METRIC OHMMETER

1) Select RL so that the voltage drop across RL is not less than 3V for that range in F.S., or use a 3.9V Zener diode instead of RL; 2) Install RS and RT as specified under section titled Useful Tables; 3) Cut open solder junction J1.



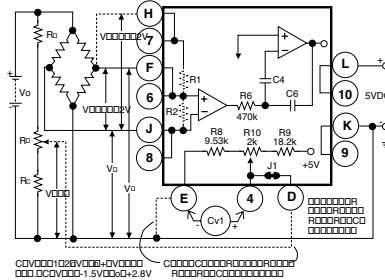
MEASURE TEMPERATURE DIFFERENCE

Meter Reading = 199.9°C Max. where $-50^{\circ}\text{C} \leq (T_1, T_2) < +150^{\circ}\text{C}$.



5VDC POWER SUPPLY MONITOR

Install R1 and R2 with component values shown.

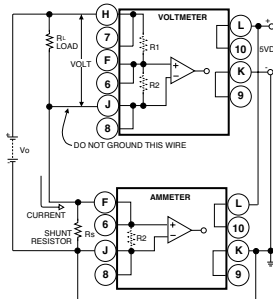


DIFFERENTIAL METER - 200mV RANGE, >2V Range, or EXTERNAL REFERENCE

200mV Range : 1) Change R6 from 470k to 47k, $\pm 5\%$; 2) Change R9 from 18.2k to 26.7k, $\pm 1\%$; 3) Remove R8 (9.53k) and short with a jumper; 4) It is recommended that C4, C5 and C7 be changed to 0.22mF; 5) Adjust R10 until CV1 = 100mV.

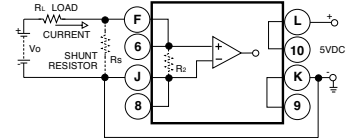
>2V Range: Install R1 and R2 as specified under section titled Useful Tables.

External Reference: 1) Cut open solder junction J1; 2) Connect Pin E to Pin K; 3) Connect moving arm of RB to Pin D.



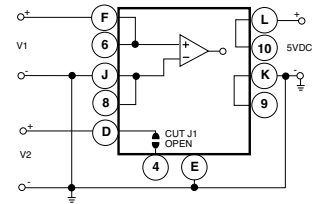
SIMULTANEOUS VOLTAGE AND CURRENT MEASUREMENT

1) Connect meter as for 200mV voltmeter for minimum drop on Rs or R2. Use Rs externally for currents greater than 200mA; 2) Install R1, R2, and Rs as specified under section titled Useful Tables. **NOTE:** Rs must be located in low side of the current loop and Signal Low Input Pin J of voltmeter must not be grounded. If it is necessary to install Rs on the high side of the current loop, the ammeter must be operated from an isolated power supply.



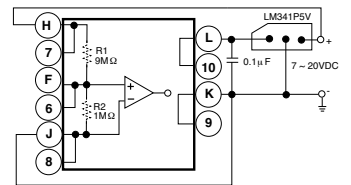
SINGLE-ENDED CURRENT METER

1) Connect meter as for 200mV voltmeter; 2) Install RS. **NOTE:** RS must be externally mounted when current is greater than 200mA. Standard values for RS are specified under section titled Useful Tables. For all other ranges, RS may be internally mounted in the R2 position.



RATIO METRIC VOLTMETER

Reading = $(V_1 \div V_2) \times 1000$ where $-2V \leq V_1 \leq +2.8V$ and $+100mV \leq V_2 \leq +4V$ and $0000 < \text{Reading} < 1999$. Cut open solder junction J1.



7VDC TO 20VDC POWER SUPPLY MONITOR

Install R1 and R2 with values shown.

Useful Tables

VOLTAGE RANGE CHANGE

F.S. In	R1	R2	Resolution
200mV	omit	omit	100μV
2V	omit	omit	1mV
20V	9M	1M	10mV
200V	10M	100k	100mV

CURRENT RANGE CHANGE (*)

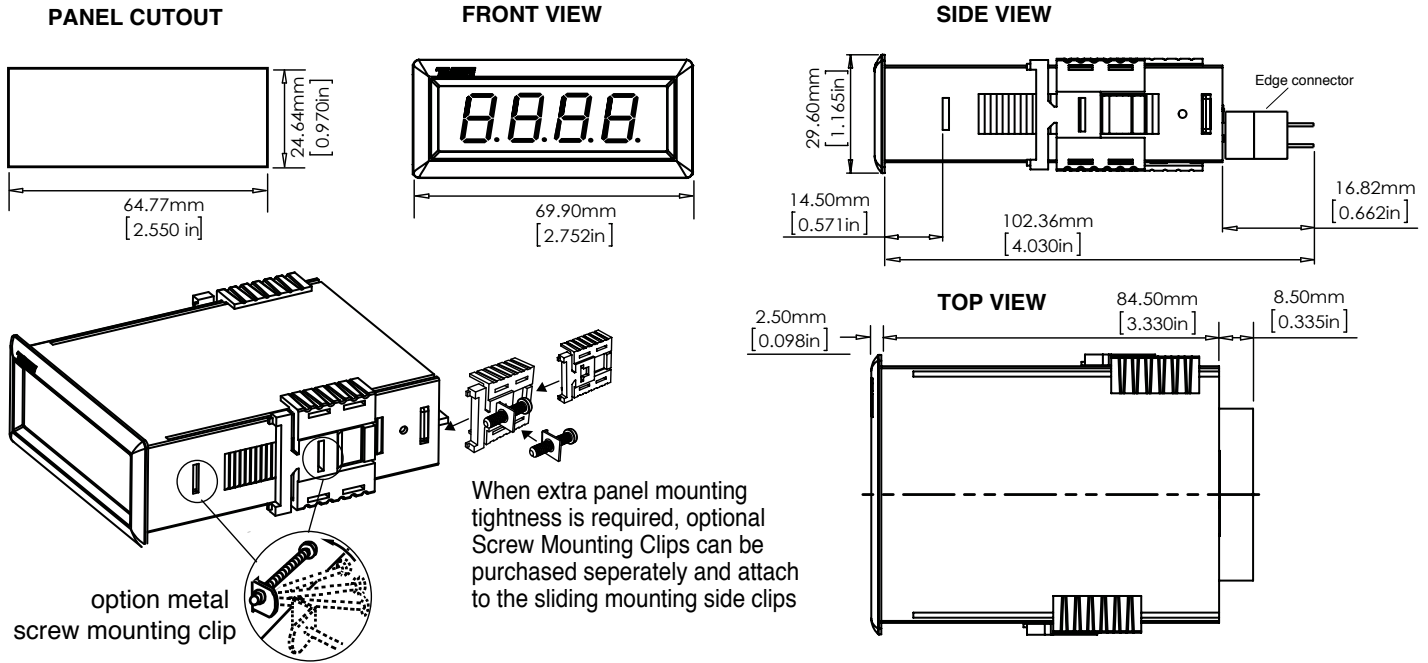
Use 200mV F.S. meter for minimum voltage drop.

F.S. In	Rs External	Resolution
20A	0.01	10mA
2A	0.1	1mA
F.S. In	Rs Internal	Resolution
200mA	1	100μA
20mA	10	10μA
2mA	100	1μA
200μA	1k	100nA

OHMMETER RANGE CHANGE

F.S. In	Rs+Rt	Resolution
200	100	100m
2k	1k	1
20k	10k	10
200k	100k	100
2M	1M	1k
20M	10M	10k

PM Case Dimensions and Panel Cutouts



Ordering Information

Standard Options for this Model Number

Part Number Description

► BASIC MODEL NUMBER

PM-35U 3.5 digit Red LED, Low Cost, 2VDC, 5VDC pwr

Note: For operation, the PM-35U requires a CN-L10 Dual Row 10 Pin PCB edge connector 0.156" center or equivalent (see accessories).

Special Options and Accessories

Part Number Description

► SPECIAL OPTIONS (Specify Inputs & Req. Reading)

- ZS Custom display scaling within standard ranges
- ZR-200V 200 VDC Range Change.
- ZR-20V 20 VDC Range Change.
- ZRS-200MV 200 mVDC range change.
- ZRS-PMRP Non-standard range and scale.

► ACCESSORIES

CN-L10 Dual Row 10 Pin Connector, Solder Type



WARRANTY

Texmate warrants that its products are free from defects in material and workmanship under normal use and service for a period of one year from date of shipment. Texmate's obligations under this warranty are limited to replacement or repair, at its option, at its factory, of any of the products which shall, within the applicable period after shipment, be returned to Texmate's facility, transportation charges pre-paid, and which are, after examination, disclosed to the satisfaction of Texmate to be thus defective. The warranty shall not apply to any equipment which shall have been repaired or altered, except by Texmate, or which shall have been subjected to misuse, negligence, or accident. In no case shall Texmate's liability exceed the original purchase price. The aforementioned provisions do not extend the original warranty period of any product which has been either repaired or replaced by Texmate.

USER'S RESPONSIBILITY

We are pleased to offer suggestions on the use of our various products either by way of printed matter or through direct contact with our sales/application engineering staff. However, since we have no control over the use of our products once they are shipped, NO WARRANTY WHETHER OF MERCHANTABILITY, FITNESS FOR PURPOSE, OR OTHERWISE is made beyond the repair, replacement, or refund of purchase price at the sole discretion of Texmate. Users shall determine the suitability of the product for the intended application before using, and the users assume all risk and liability whatsoever in connection therewith, regardless of any of our suggestions or statements as to application or construction. In no event shall Texmate's liability, in law or otherwise, be in excess of the purchase price of the product.

Texmate cannot assume responsibility for any circuitry described. No circuit patent or software licenses are implied. Texmate reserves the right to change circuitry, operating software, specifications, and prices without notice at any time.



1934 Kellogg Ave., Carlsbad, CA 92008
 Tel: 1-760-598-9899 • USA 1-800-839-6283 • 1-800-TEXMATE
 Email: orders@texmate.com • Web: www.texmate.com

PM-35U Technical Manual Copyright © 2022 Texmate Inc. All rights reserved. Published by: Texmate Inc. USA. Information in this Technical Manual is subject to change without notice due to correction or enhancement. The information described in this manual is proprietary to Texmate, Inc. and may not be copied, reproduced or transmitted, in whole or in part, in connection with the design, manufacture, or sale of apparatus, device or private label product without the express written consent of Texmate, Inc.

Copyright © 2022 Texmate Inc. All Right Reserved.