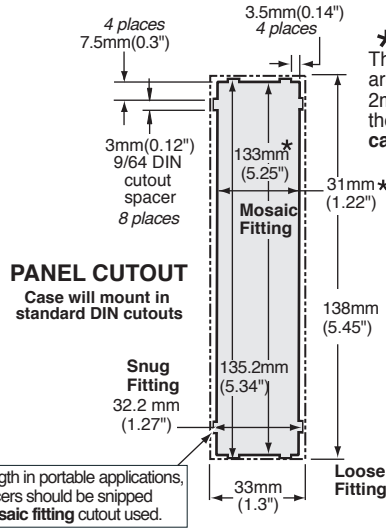
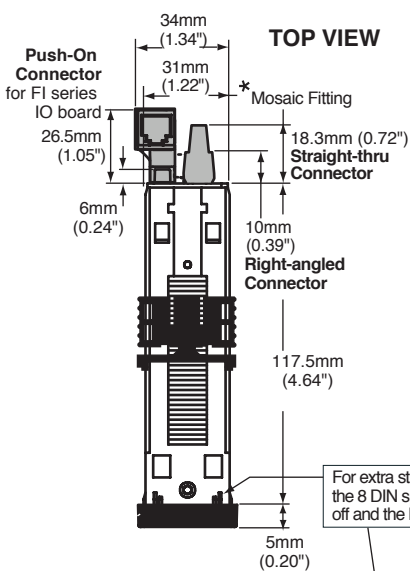
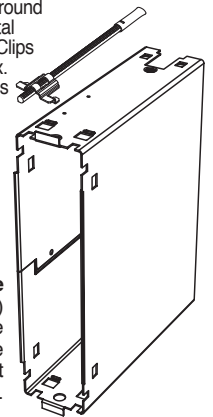


9/64 DIN 36x144mm (1.89"x3.78") Case Dimensions and Panel Cutout

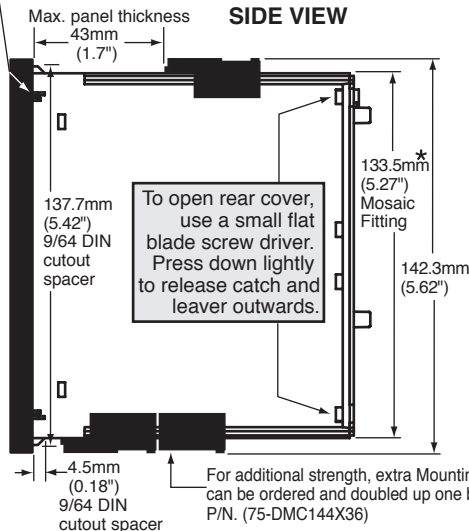
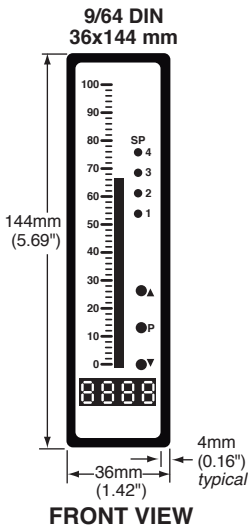


The Metal Surround case uses Metal Screw Mount Clips and has a max. panel thickness mounting of 7mm (0.28")

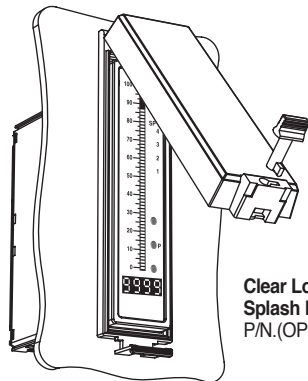
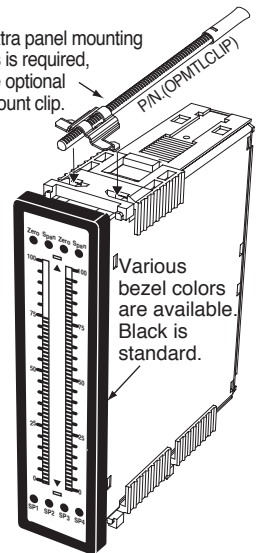


Metal Surround Case
P/N. (OP-MTL144X36) is pre-installed at the factory and cannot be removed without damage to the case.

For extra strength in portable applications, the 8 DIN spacers should be snapped off and the Mosaic fitting cutout used.

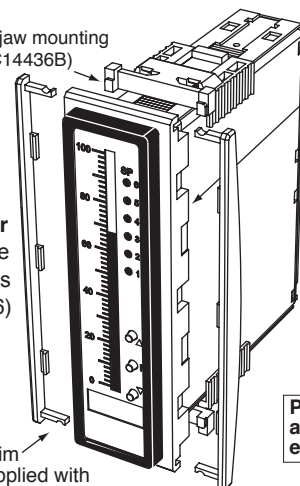


When extra panel mounting tightness is required, order the optional screw mount clip.



Panel Adaptor
to fit existing 6" Edgewise Pointer Meter Cut-Outs
P/N. (OP-PA/144x36)

Adaptor uses wide jaw mounting slide clips. P/N. (75DMC14436B)



The adaptor snaps on the 36x144 mm (1.42"x5.69") case and enables single unit or stack mounting in an existing 6" edgewise pointer meter cut-out.

Panel adaptor plates are available to retrofit most existing panel cutouts.

Two bezel Trim Strips are supplied with each Panel Adaptor