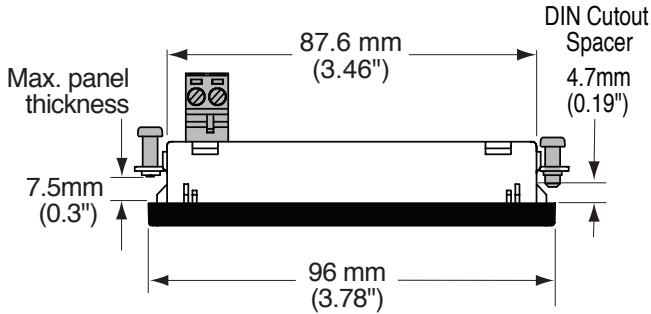


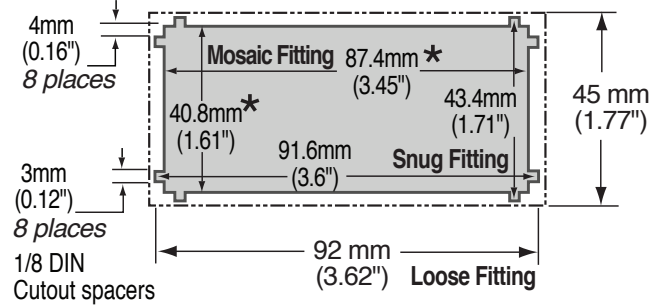
1/8 DIN 96x48mm (3.78"x1.89") Ultra Short Depth Case Dimensions and Panel Cutout

TOP VIEW

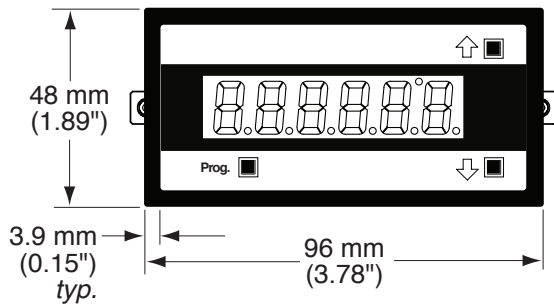


PANEL CUTOUT

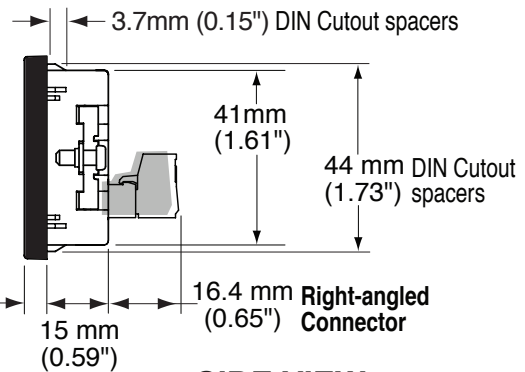
Case will mount in standard 1/8 DIN cutouts



1/8 DIN 96x48mm

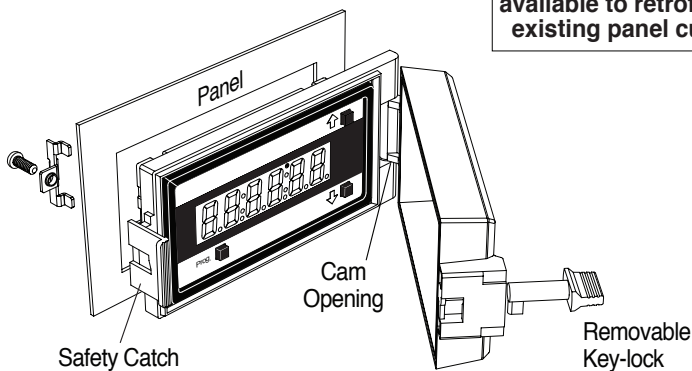


FRONT VIEW



SIDE VIEW

Panel adaptor plates are available to retrofit most existing panel cutouts.



Clear Lockable NEMA 4X Splash Proof Cover
 P/N:(OP-N4X/96x48)

