



DVM-5/RTD

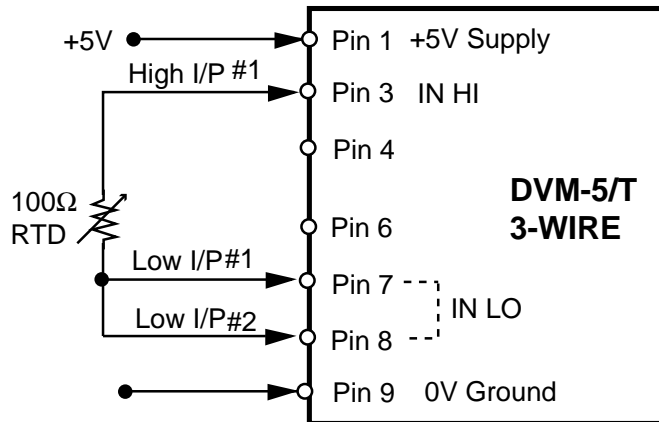
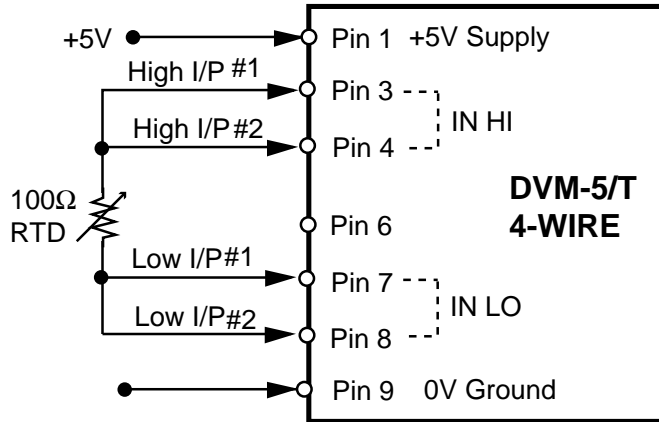
RTD Sensor Miniature Meters
3 1/2 Digit 0.276" LED
in a Mini Case

Low Cost, PT 100Ω RTD Sensor Measuring Mini-Meters.

General Features

The Texmate DVM-5/RTD1 and DVM-5/RTD2 Mini-Meters™ are some of the world's smallest LED, RTD sensor measuring meters. They are offered in ranges of -199.9 to +199.9°C or -200 to +800°C full scale. The DVM-5 series is designed for OEM's in the medical, scientific and process instrument field where small size and exceptional performance are important. This small meter is very advanced and uses all surface mount technology.

Typical Application Connections



Compatibility

The DVM-Series have a matching Mini Case style that is compatible with all DVM-Series meters. The DVM-Series are designed for use when small spaces are available.



Specifications

- Zero:**Autozeroed
- Brightness:**.....The brightness adjustment is on the upper side and is marked "H". Use only insulated screwdriver for adjustment.
- Range:**.....-199.9 to +199.9°C (DVM-5/RTD1)
-200 to +800°C (DVM-5/RTD2)
- Accuracy:**±0.15°C
- Span:**.....Right side meter adjustment.
- Connection:**Meter is supplied with matching 9-pin male connector. Leads exit downward.
- Warm Up Time:**.....2 minutes
- Display:**.....3.5 digit; 0.276" (7mm) red/orange or green LED display
- Decimal Point:**User selectable
- Power Supply:**Regulated 5V ±5% DC
- Operating Temperature:**.....-10 to 50 °C
- Storage Temperature:** ..-20 to 70 °C
- Relative Humidity:**95% (non-condensing)
- Case Dimensions:**1.38"Wx0.5"Hx1.77"D (35x12.7x45mm)
Front Bezel 1.46"x0.59" (37x15mm)
Panel cutout 1.38"x0.5" (35x12.7mm)
- Weight:**0.64 oz (19gms)

DVM Series, mini size and mighty performance

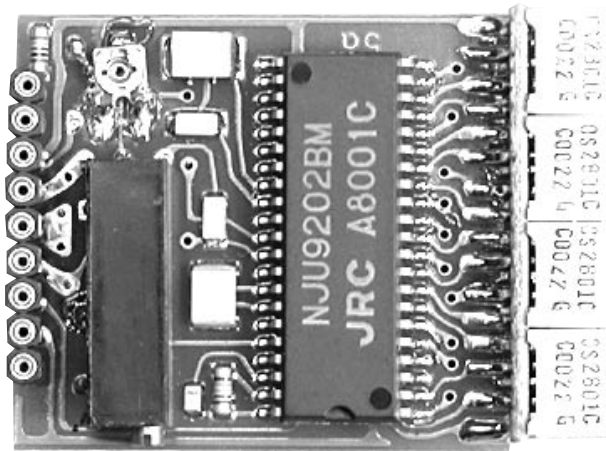
DVM-53.5 digit Red LED, 5VDC Power, 2/20/200 VDC
DVM-5/4-203.5 digit Red LED, 5VDC Power, 4-20 mA input
DVM-5/CL.....3.5 digit Red LED, Loop Powered, 4-20 mA input (1000)
DVM-5/G.....3.5 digit Green LED, 5VDC Power, 2/20/200 VDC

DVM-5/MV3.5 digit Red LED, 5VDC Power, 200 mV DC input
DVM-5/RTD1.....3.5 digit Red LED, 5VDC Power, RTD input, 0.1 °C
DVM-5/RTD2.....3.5 digit Red LED, 5VDC Power, RTD input, 1 °C

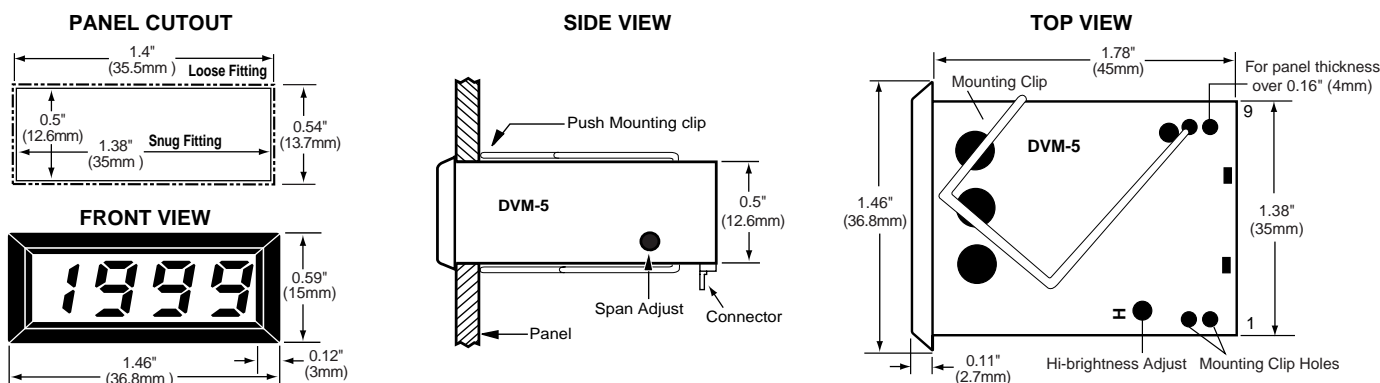
Connector Pinouts

- Pin 1 = Positive +5VDC Power Supply Input
- Pin 2 = No Connection
- Pin 3 = RTD Signal High Input #1
- Pin 4 = RTD Signal High Input #2 (For 4-wire RTDs)
- Pin 5 = No Connection
- Pin 6 = Lead Resistance Calibration Connection
- Pin 7 = RTD Signal Low Input #1
- Pin 8 = RTD Signal Low Input #2
- Pin 9 = Negative 0 Volt Supply (Power Ground)

Component Layout



DVM Case Dimensions and Panel Cutouts



Ordering Information

Standard Options for this Model Number

Part Number	Description	List
► BASIC MODEL NUMBER		
DVM-5/RTD1	3.5 digit Red LED, 5VDC Power, RTD input, 0.1 °C	\$109
DVM-5/RTD2	3.5 digit Red LED, 5VDC Power, RTD input, 1 °C	\$109

Many other options and accessories are available. See full price list for more details.
Prices subject to change without notice.

WARRANTY

Texmate warrants that its products are free from defects in material and workmanship under normal use and service for a period of one year from date of shipment. Texmate's obligations under this warranty are limited to replacement or repair, at its option, at its factory, of any of the products which shall, within the applicable period after shipment, be returned to Texmate's facility, transportation charges pre-paid, and which are, after examination, disclosed to the satisfaction of Texmate to be thus defective. The warranty shall not apply to any equipment which shall have been repaired or altered, except by Texmate, or which shall have been subjected to misuse, negligence, or accident. In no case shall Texmate's liability exceed the original purchase price. The aforementioned provisions do not extend the original warranty period of any product which has been either repaired or replaced by Texmate.

USER'S RESPONSIBILITY

We are pleased to offer suggestions on the use of our various products either by way of printed matter or through direct contact with our sales/application engineering staff. However, since we have no control over the use of our products once they are shipped, NO WARRANTY WHETHER OF MERCHANTABILITY, FITNESS FOR PURPOSE, OR OTHERWISE is made beyond the repair, replacement, or refund of purchase price at the sole discretion of Texmate. Users shall determine the suitability of the product for the intended application before using, and the users assume all risk and liability whatsoever in connection therewith, regardless of any of our suggestions or statements as to application or construction. In no event shall Texmate's liability, in law or otherwise, be in excess of the purchase price of the product.

Texmate cannot assume responsibility for any circuitry described. No circuit patent or software licenses are implied. Texmate reserves the right to change circuitry, operating software, specifications, and prices without notice at any time.



995 Park Center Drive • Vista, CA 92081-8397

Tel: 1-760-598-9899 • USA 1-800-839-6283 • That's 1-800-TEXMATE

Fax: 1-760-598-9828 • Email: sales@texmate.com • Web: www.texmate.com

Texmate has facilities in Japan, New Zealand, Taiwan, and Thailand. We also have authorized distributors throughout the USA and in 28 other countries.

For product details visit www.texmate.com

Local Distributor Address