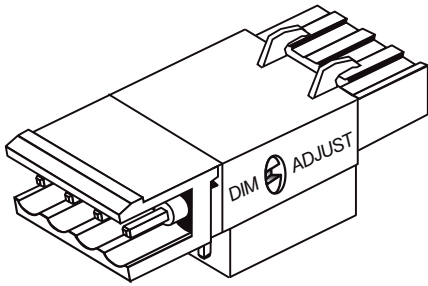


CE



OP-EXT/ISO

Function Pin Isolator

24VDC Input / 10mA

Enables function pins HOLD, TEST and DIM/BLANK on multiple meters to be controlled simultaneously from a single 24VDC control source while maintaining isolation between the signal grounds of each individual meter.

General Features

The function pin isolator module OP-EXT/ISO provides optical isolation between an external 24VDC control signal and the internal signal ground on all Lynx and Leopard family meters. This enables multiple meters to be daisy-chained together and controlled by a single control voltage source.

This isolator directly plugs into the Lynx or Leopard meter's function pin socket.

An individual DIM adjust potentiometer on each isolator allows individual adjustment of the level of dimming for each meter.

Compatibility

LYNX & LEOPARD FAMILY:

The OP-EXT/IPO is compatible with all of Texmate's Lynx & Leopard Families of meters.



LYNX



LEOPARD

See www.texmate.com for an up to date listing of all applicable meters.

Specifications

Connection:Plugs directly into function pins socket on the meter.

Control Voltage:18-36VDC @ 10mA per function pin. (30mA max)

Operating Temperature: ...-10 to 50 °C

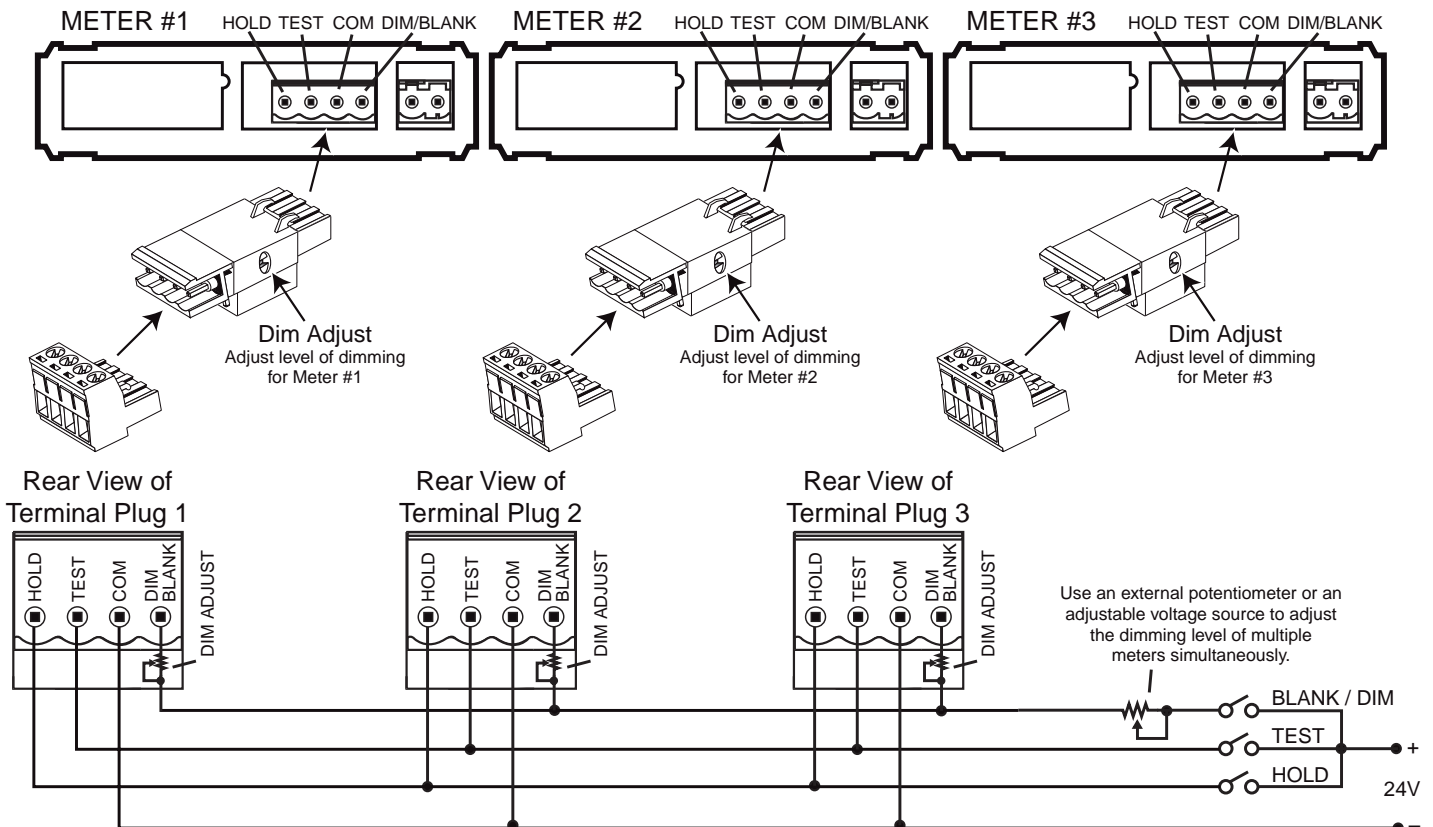
Storage Temperature:-20 to 70 °C

Relative Humidity:95% (non-condensing)

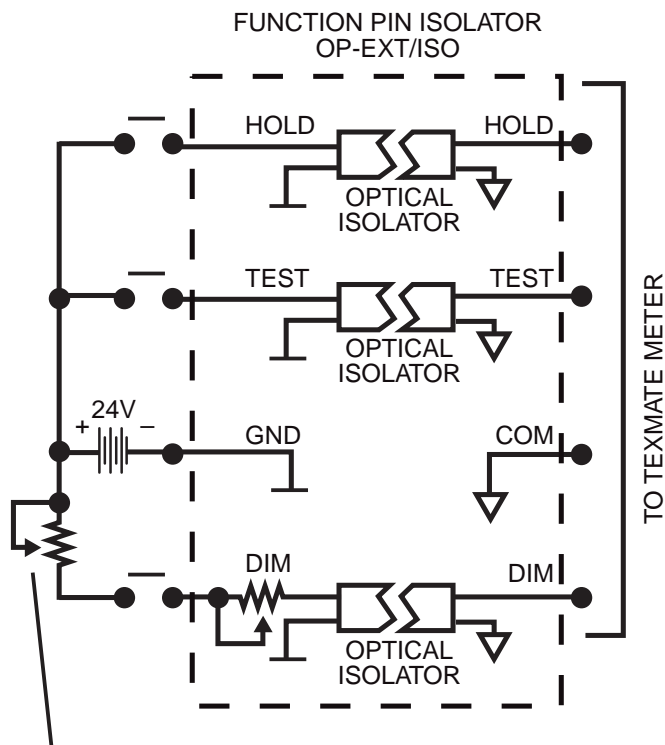
Dimensions:38.5mm x 22mm x 14.5mm

Weight:0.4 oz.

Typical Application Connection for Multiple Meters



Component Layout

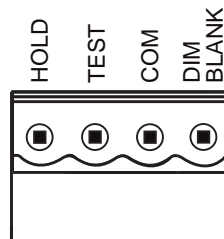


Use an external potentiometer or an adjustable voltage source to adjust the dimming level of multiple meters simultaneously.

Connector Pinouts

HOLDWhen 24VDC is applied between this pin and the COM pin, the displayed reading is held "frozen." A/D conversions continue, but the display is not updated. As soon as the 24VDC is removed from this pin, the results of the latest conversion are instantly displayed.

Rear View of OP-EXT/ISO



TESTWhen 24VDC is applied between this pin and the COM pin, all the display segments are turned on. This function is used to check for missing display segments.

COMThe negative end of the 24VDC supply is connected to this pin.

DIM/BLANKWhen 24VDC is applied between this pin and the COM pin, the display will be dimmed to the level set by the Dim Adjust potentiometer, which compensates for differences in the individual isolators. If the Dim Adjust potentiometer is adjusted clockwise to the maximum, the display will be entirely blanked out when 24VDC is applied.

To simultaneously adjust the dimming level of multiple meters with a single dimming control, an external potentiometer, or adjustable voltage source, can be used. The brightness level for each meter can be equalized with the Dim Adjust potentiometer on each individual OP-EXT/ISO module.

Ordering Information

Standard Options for this Model Number

Part Number	Description	List
▶ BASIC MODEL NUMBER		
OP-EXT/ISOFunction Pin Isolator, 24VDC Input / 10mA each pin\$30

Many other options and accessories are available. See full price list for more details. Prices subject to change without notice.

WARRANTY

Texmate warrants that its products are free from defects in material and workmanship under normal use and service for a period of one year from date of shipment. Texmate's obligations under this warranty are limited to replacement or repair, at its option, at its factory, of any of the products which shall, within the applicable period after shipment, be returned to Texmate's facility, transportation charges pre-paid, and which are, after examination, disclosed to the satisfaction of Texmate to be thus defective. The warranty shall not apply to any equipment which shall have been repaired or altered, except by Texmate, or which shall have been subjected to misuse, negligence, or accident. In no case shall Texmate's liability exceed the original purchase price. The aforementioned provisions do not extend the original warranty period of any product which has been either repaired or replaced by Texmate.

USER'S RESPONSIBILITY

We are pleased to offer suggestions on the use of our various products either by way of printed matter or through direct contact with our sales/application engineering staff. However, since we have no control over the use of our products once they are shipped, NO WARRANTY WHETHER OF MERCHANTABILITY, FITNESS FOR PURPOSE, OR OTHERWISE is made beyond the repair, replacement, or refund of purchase price at the sole discretion of Texmate. Users shall determine the suitability of the product for the intended application before using, and the users assume all risk and liability whatsoever in connection therewith, regardless of any of our suggestions or statements as to application or construction. In no event shall Texmate's liability, in law or otherwise, be in excess of the purchase price of the product.

Texmate cannot assume responsibility for any circuitry described. No circuit patent or software licenses are implied. Texmate reserves the right to change circuitry, operating software, specifications, and prices without notice at any time.

TEXMATE INC

995 Park Center Drive • Vista, CA 92081-8397

Tel: 1-760-598-9899 • USA 1-800-839-6283 • That's 1-800-TEXMATE

Fax: 1-760-598-9828 • Email: sales@texmate.com • Web: www.texmate.com

Texmate has facilities in Japan, New Zealand, Taiwan, and Thailand. We also have authorized distributors throughout the USA and in 28 other countries.

For product details visit www.texmate.com

Local Distributor Address

Copyright © 2004 Texmate Inc. All Rights Reserved.