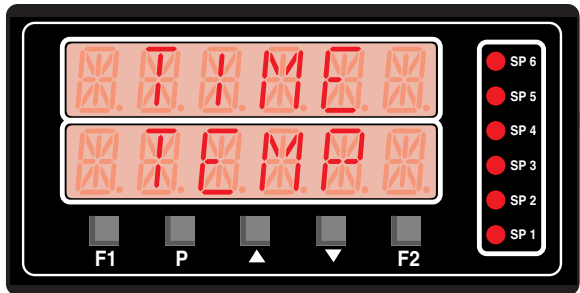
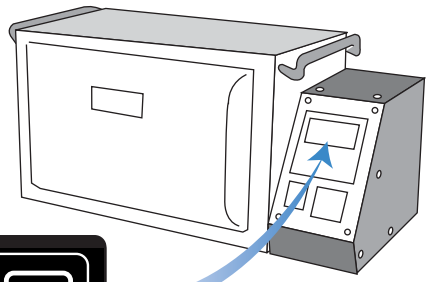
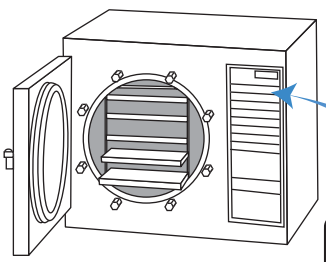
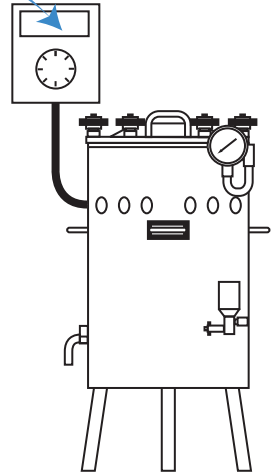
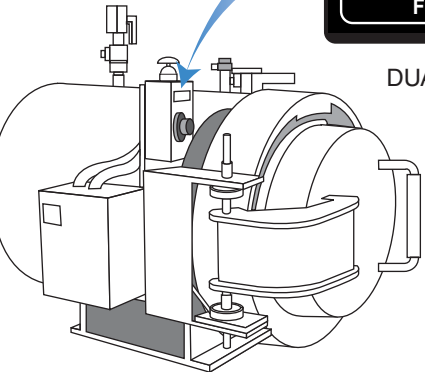


The Texmate sterilizer controller has many new and unique features making it ideal for steam sterilizer / autoclave manufacturers and refurbishers to upgrade analog sterilizers to digital control. The controller contains all the built-in temperature control and timer functions for steam sterilizer operations in easy to program menus described below.

The dual alphanumeric display with a five-button IP65 polyester faceplate, fronting a 96x48 mm 1/8 DIN case, is the ideal operator interface for easy programming and displaying sterilizer menu messages.



DUAL 6-DIGIT ALPHANUMERIC DISPLAY



APPLICATION FUNCTIONS	
STEAM STERILIZER MACRO	★
RELAY OUTPUTS	⏏
TIMERS	⌚
SERIAL OUTPUTS	⏏
REGISTER RESETS	↕
TOTALIZERS	+
SEQUENCE CONTROLS	⏏

TEXT MESSAGING	
DOOR SW	★

INPUTS	
DOOR SW	★

TEMPERATURE T/C, RTD	

- Easy front panel configuration and control using instructive programming menu messages.
- Selectable "STERILIZE ONLY" or "STERILIZE AND DRY" cycles.
- Descriptive display messages showing temperature and time remaining during each cycle.
- Operator adjustable drying time for drying cycle with factory programmable minimum and maximum time limits.
- Operator selectable sterilization temperatures with factory programmable preset temperature limits.
- Operator adjustable sterilization time window for selected sterilization temperature. Factory programmable minimum and maximum sterilization time limits.
- Over / under-temperature shutdown with scrolling display fault indication: "OVER TEMPERATURE FAILURE" or "UNDER TEMPERATURE FAILURE".

- Over-temperature shutdown during drying cycle.
- Temperature warning scrolling display message: "WARNING CONTENTS ARE HOT" if the door is opened and the temperature is above the factory programmed value.
- Factory programmable independent PID control settings for both the sterilizing and drying cycles.
- RTD or thermocouple and status inputs.
- Relay outputs for heater / valve control.
- Optional direct serial printer output with optional print format including: date, job number for day, time related temperature and time for duration of sterilize cycle, and temperature fault indication on printout.
- Trend analysis using optional 4000 sample time stamped data logger.
- For multiple unit OEM manufacturers and refurbishers, the operating system is reconfigurable using Texmate's Development System software.

All factory programmable limits can be preset to your specifications.

TEXMATE CONTROLLERS FOR THIS APPLICATION	
Order Codes	Comments
DI-602AT5C—DR—PSI—	Steam Sterilizer Macro

Texmate supply input modules to suit most standard and many special sensors. Sensors can be purchased from a supplier in your area. Submit your "Request for information" together with your contact details.

Texmate cannot assume responsibility for any application process described. No process patent licenses are implied. Texmate reserves the right to change processes, equipment, specifications, and prices without notice at any time.