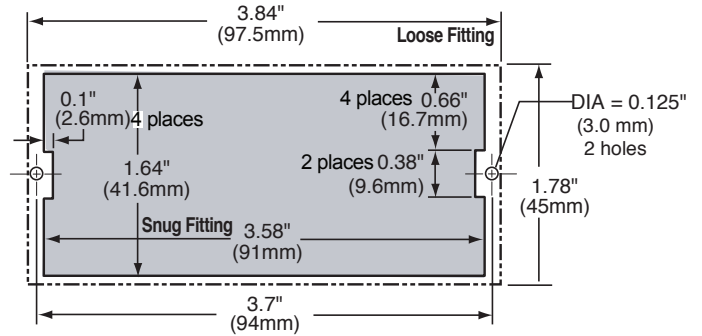
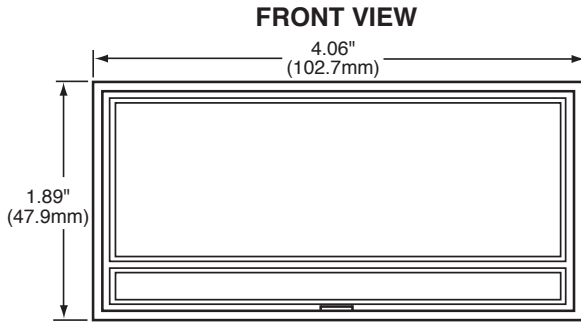


**NEMA Case Dimensions and Panel Cutouts**

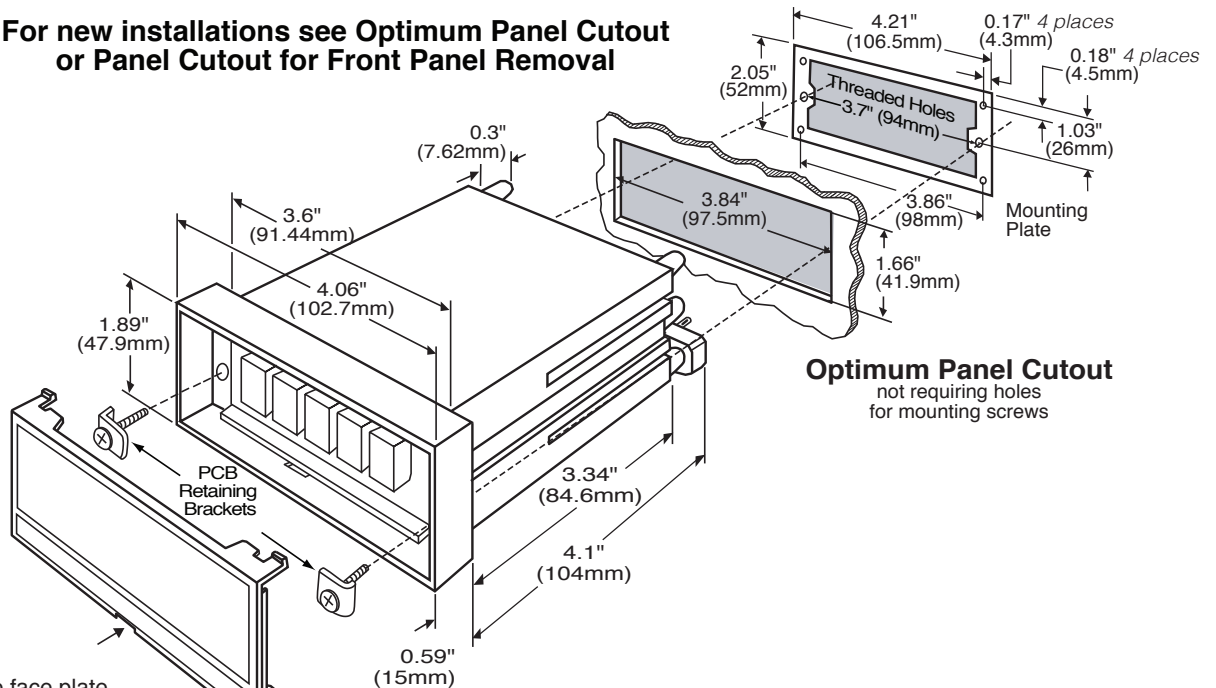
This NEMA Case will fit any existing cutout with dimensions that are between the Snug and Loose Fitting dimensions shown below.



**Panel Cutout for Front Panel Removal**

To enable removal of the panel meter from a mounting panel without requiring rear access, make the panel cutout as shown above, using the mounting plate supplied with the meter as a template. The mounting holes should then be tapped to match the mounting screws.

**For new installations see Optimum Panel Cutout or Panel Cutout for Front Panel Removal**



**Optimum Panel Cutout**  
 not requiring holes for mounting screws

To remove the face plate, carefully insert screwdriver blade at bottom slot to release catch and gently pry outward to release the plate.