



SPM Signal  
Powerd Series

# SPM-083CL

**0.01% Super Accurate  
Dimmable**

**Loop powered meter**

**3 1/2 Digit 0.394"(10mm) LED**



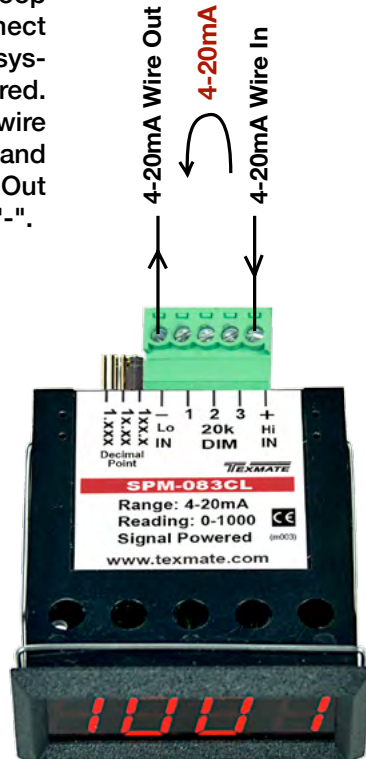
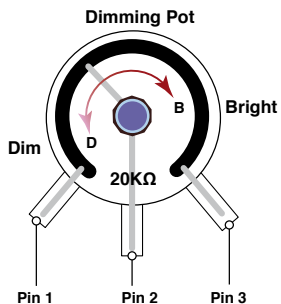
## General Features

The Texmate SPM-083CL is an loop powered LED digital panel meter. It is ideal for OEM's in the process, medical and scientific instrument field where small size and exceptional performance are important.

The SPM-083CL420 comes standard 0 to 1000 full scale. It can be factory scaled to read output in any engineering unit from 0 to 1999. No decimal point is set on the standard meter, but one may be specified when ordering.

## Typical Application Connections

The SPM-083CL is factory calibrated for current loop measurement. To connect the meter to the user's system, two wires are required. Connect the 4-20mA In wire on the pin marked "+", and connect the 4-20mA Out wire on the pin marked "-".



Decimal Point Selection  
Header Pins:  
Decimal Point 1XX.X  
Decimal Point 1X.XX  
Decimal Point 1.XXX

## Specifications

- Loop Drop:** ..... 7V corresponding to 350 ohm.
- Accuracy:** ..... 0.01% of reading.
- Connection:**..... Meter is supplied with 2-pin screw terminal type connector.
- Warm Up Time:** ..... 2 minutes
- Display:**..... 0.394" (10mm), Red LEDs.
- Decimal Point:** ..... User Selectable with header on the rear of the meter.
- Power Supply:** ..... No separate power supply is required. The meter is powered from the 4-20mA current loop.
- Operating Temperature:** . -10 to 60 °C. Typical max 50ppm for 75%.
- Storage Temperature:** . -20 to 80 °C
- Relative Humidity:** ..... 95% (non-condensing)
- Case Dimensions:** ..... 1.77"Wx0.71"Hx1.97"D (45x18x50mm)  
Add 0.65" (16.55 mm) for connector  
Front Bezel 1.89"x0.83" (48x21mm)  
Panel cutout 1.77"x0.71" (45x18mm)
- Weight:** ..... 7oz. (20gms)

### Special Scaling

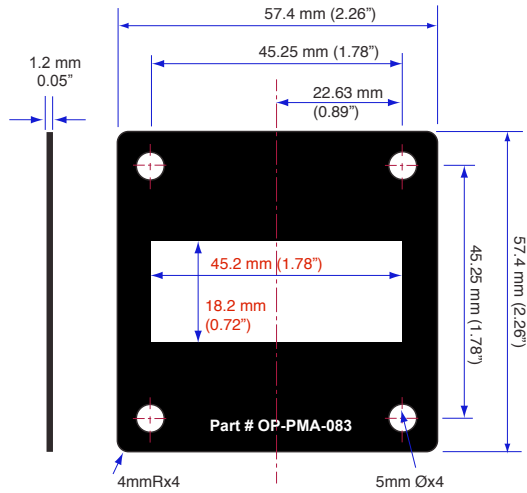
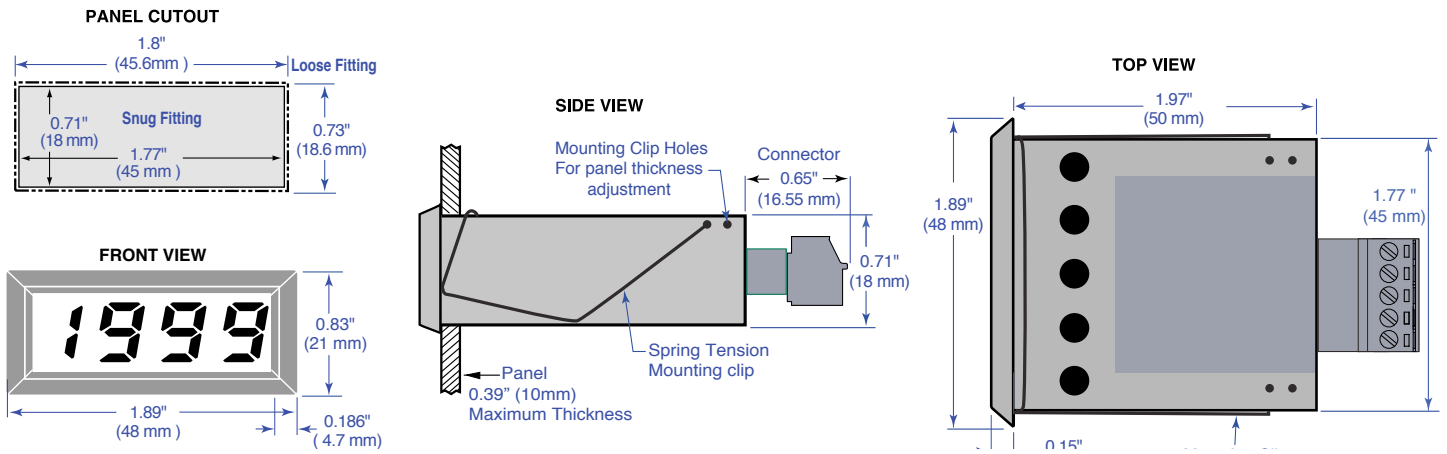
The following ranges are available by ordering part number ZSMINI420 for special scaling from the factory. Other ranges on request.

|       |       |       |        |
|-------|-------|-------|--------|
| 0-200 | 0-360 | 0-700 | 0-1250 |
| 0-250 | 0-500 | 0-800 | 0-1500 |
| 0-300 | 0-600 | 0-900 | 0-1750 |
|       |       |       | 0-1999 |

**Applications for 4-20mA input include pressure, temperature, level, flow and other process measurements.**

**OEM Applications include CATV systems, medical and scientific instruments, SCADA and wastewater systems.**

# SPM-083 Case Dimensions and Panel Cutouts



## Ordering Information

### Standard Options for this Model Number

| Part Number | Description |
|-------------|-------------|
|-------------|-------------|

#### ► BASIC MODEL NUMBER

SPM-083CL420..... 3.5 digit Red LED, Loop Powered, 4-20mA input (1000) . . .

#### ► SPECIAL OPTIONS (Specify Inputs or Outputs & Req. Reading)

ZSMINI420 . . . . . Special Scale change . . . . .

#### ► ACCESSORIES

OP-PMA-083 . . . . . Switchboard Style Panel Mounting Plate . . . . .

Many other options and accessories are available. Visit [www.texmate.com](http://www.texmate.com) for more details.

Prices subject to change without notice.

## MINI Series, mini size and mighty performance

SPM-083CL..... 3.5 digit Red LED, Loop Powered, 4-20mA input (1000)

### WARRANTY

Texmate warrants that its products are free from defects in material and workmanship under normal use and service for a period of one year from date of shipment. Texmate's obligations under this warranty are limited to replacement or repair, at its option, at its factory, of any of the products which shall, within the applicable period after shipment, be returned to Texmate's facility, transportation charges pre-paid, and which are, after examination, disclosed to the satisfaction of Texmate to be thus defective. The warranty shall not apply to any equipment which shall have been repaired or altered, except by Texmate, or which shall have been subjected to misuse, negligence, or accident. In no case shall Texmate's liability exceed the original purchase price. The aforementioned provisions do not extend the original warranty period of any product which has been either repaired or replaced by Texmate.

### USER'S RESPONSIBILITY

We are pleased to offer suggestions on the use of our various products either by way of printed matter or through direct contact with our sales/application engineering staff. However, since we have no control over the use of our products once they are shipped, **NO WARRANTY WHETHER OF MERCHANTABILITY, FITNESS FOR PURPOSE, OR OTHERWISE** is made beyond the repair, replacement, or refund of purchase price at the sole discretion of Texmate. Users shall determine the suitability of the product for the intended application before using, and the users assume all risk and liability whatsoever in connection therewith, regardless of any of our suggestions or statements as to application or construction. In no event shall Texmate's liability, in law or otherwise, be in excess of the purchase price of the product.

Texmate cannot assume responsibility for any circuitry described. No circuit patent or software licenses are implied. Texmate reserves the right to change circuitry, operating software, specifications, and prices without notice at any time.



1934 Kellogg Ave., Carlsbad, CA 92008  
 Tel: 1-760-598-9899 • 1-800-TEXMATE  
 • Email: [orders@texmate.com](mailto:orders@texmate.com)

SPM-083CL Technical Manual Copyright © 2019 Texmate Inc. All rights reserved. Published by: Texmate Inc. USA. Information in this Technical Manual is subject to change without notice due to correction or enhancement. The information described in this manual is proprietary to Texmate, Inc. and may not be copied, reproduced or transmitted, in whole or in part, in connection with the design, manufacture, or sale of apparatus, device or private label product without the express written consent of Texmate, Inc.