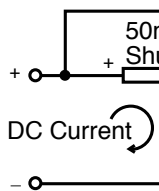
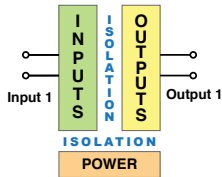




Leopard TL-DCA Transmitter / Controller

- ▶ Compact, 22.5mm, DIN Rail Mount Transmitter
- ▶ DC mV $\pm 100\text{mV}$ to 4-20mA Transmitter (Default Range)
- ▶ Two optional 6A FormC Relays
- ▶ Triple Isolated: Power to Inputs
Power to Outputs
Inputs to Outputs



Active OUTPUT
4-20mA 4-20mA
Isolated 0-10V

SP1 Optional Relay

6A Form C Relays

SP2 Optional Relay

POWER SUPPLY

PS2 15 to 48 VAC 3.5W
50-400 Hz
Fuse Not Replaceable
10 to 72 VDC 3.5W

PS1 85 to 265 VAC 3.5W
50-400 Hz
95 to 300 VDC 3.5W



Optional Remote Display Programmer
Needed for Programming Relays

TL-DCA DC mV $\pm 20\text{mV}$, $\pm 50\text{mV}$, $\pm 100\text{mV}$, $\pm 200\text{mV}$

▶ **POWER SUPPLY**

PS1 85-265VAC/95-300VDC\$0
PS2 15-48VAC/10-72VDCoptional

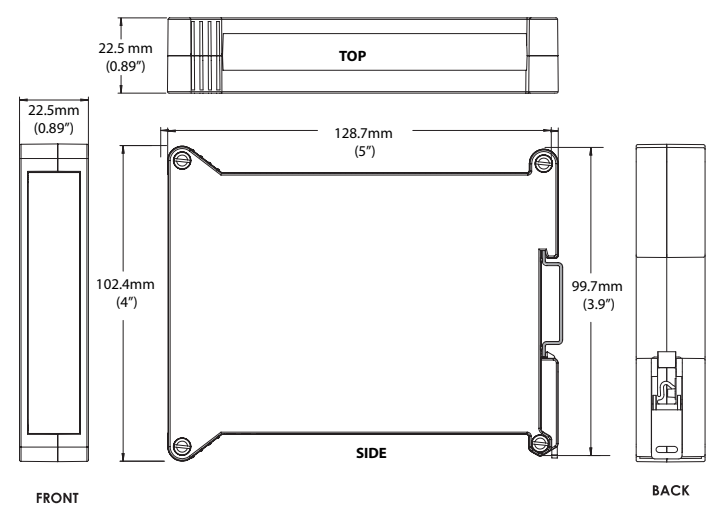
▶ **RELAY OUTPUT**

R4 Single 6A Form C Relayoptional
R5 Dual 6A Form C Relaysoptional

Short Depth 96x48 Remote Display/Programmer Kit
OP-TL/RDISP . . Remote Display/Programmer
w/Cable and Belt clip Carrying Case .optional



CASE DIMENSIONS



- For ordering info call: 1-800-TEXMATE or 760 598-9899
 - Email: orders@texmate.com • Fax: (760) 598-9828
 - For tech assistance call: (760) 598-9899
- 1934 Kellogg Ave., Carlsbad, CA 92008