

Texmate DV series

Analog Switchboard Meter with Digital Display

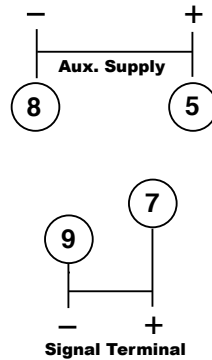
**AC / DC
Power
Process
4-20 mA
0 -10 V**

Accuracy:
Pointer: class 1.5
Digital Display: $\pm 0.5\% + 2$ counts



Specifications		Unit	Minimum	Standard Value	Maximum
Accuracy			0.5		
Voltage Range	DC	V	0.075	—	600
	AC	V	2	—	600
Current Range	DC	A	0.002	—	10
	AC	A	0.1	—	10
Input Impedance	Voltage	Input Range		Input Impedance	
		200 mV		20 k Ω	
		2 V		100 k Ω	
		20 V		1 M Ω	
		200 V		3 M Ω	
		600 V		3 M Ω	
	Current	2 mA		50 Ω	
		20 mA		5 Ω	
200 mA		0.5 Ω			
5 V		0.02 Ω			
Wire Gauge	mm ²	2.5			
LED Height		14.2 mm (0.56 inch)			
Operating Temperature	$^{\circ}$ C	5 $^{\circ}$ C	—	+40 $^{\circ}$ C	
Storage Temperature	$^{\circ}$ C	-10 $^{\circ}$ C	—	+55 $^{\circ}$ C	
Protection Grade		IP40			
Safety Class		CAT III-600 V, Class 2			
Material		PC Flame Retardation			
Power Consumption	VA	—	—	5 VA	
Auxiliary Power	V	100-370 VDC / 85-264 VAC Optional 24 VDC			

Wiring Diagram



Caution

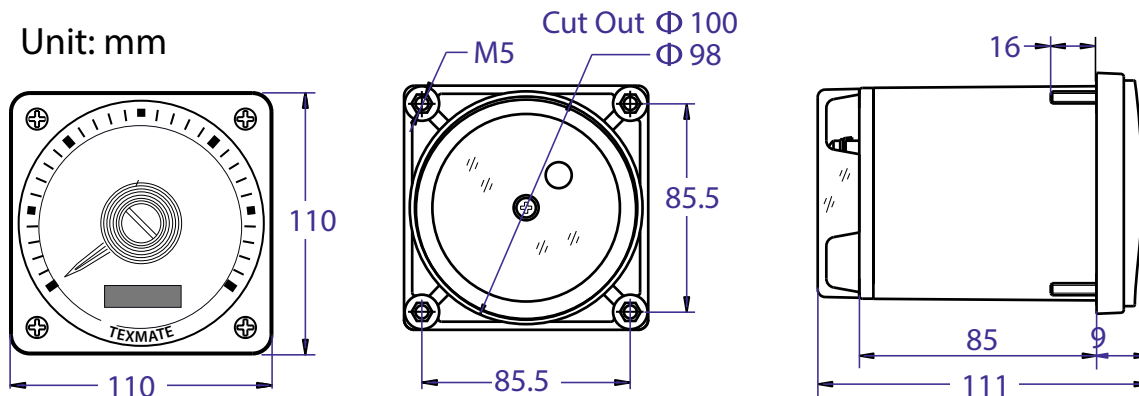
WARNING:



AC and DC input signals and power supply voltages can be hazardous. Do not connect live wires to screw terminal plugs, and do not insert, remove or handle screw terminal plugs with live wires connected.

Do Not apply voltage over suggested range.

DV Series Case Dimensions and Panel Cutouts



Warranty and User's Responsibility

WARRANTY

Texmate warrants that its products are free from defects in material and workmanship under normal use and service for a period of one year from date of shipment. Texmate's obligations under this warranty are limited to replacement or repair, at its option, at its factory, of any of the products which shall, within the applicable period after shipment, be returned to Texmate's facility, transportation charges pre-paid, and which are, after examination, disclosed to the satisfaction of Texmate to be thus defective. The warranty shall not apply to any equipment which shall have been repaired or altered, except by Texmate, or which shall have been subjected to misuse, negligence, or accident. In no case shall Texmate's liability exceed the original purchase price. The aforementioned provisions do not extend the original warranty period of any product which has been either repaired or replaced by Texmate.

USER'S RESPONSIBILITY

We are pleased to offer suggestions on the use of our various products either by way of printed matter or through direct contact with our sales/application engineering staff. However, since we have no control over the use of our products once they are shipped, NO WARRANTY WHETHER OF MERCHANTABILITY, FITNESS FOR PURPOSE, OR OTHERWISE is made beyond the repair, replacement, or refund of purchase price at the sole discretion of Texmate. Users shall determine the suitability of the product for the intended application before using, and the users assume all risk and liability whatsoever in connection therewith, regardless of any of our suggestions or statements as to application or construction. In no event shall Texmate's liability, in law or otherwise, be in excess of the purchase price of the product.

Texmate cannot assume responsibility for any circuitry described. No circuit patent or software licenses are implied. Texmate reserves the right to change circuitry, operating software, specifications, and prices without notice at any time.



1934 Kellogg Ave., Carlsbad, CA 92008
 Tel: 1-760-598-9899 • 1-800-TEXMATE
 Fax: 1-760-598-9828 • Email: orders@texmate.com

DV Series Technical Manual Copyright © 2018 Texmate Inc. All rights reserved. Published by: Texmate Inc. USA. Information in this Technical Manual is subject to change without notice due to correction or enhancement. The information described in this manual is proprietary to Texmate, Inc. and may not be copied, reproduced or transmitted, in whole or in part, in connection with the design, manufacture, or sale of apparatus, device or private label product without the express written consent of Texmate, Inc.