

TEXMATE INC

Analog to Digital Migration, Painless



40 years supplying panel meters, controllers and transducers to the world's leading energy companies, utilities and water treatment facilities

Refurbishing Control Rooms

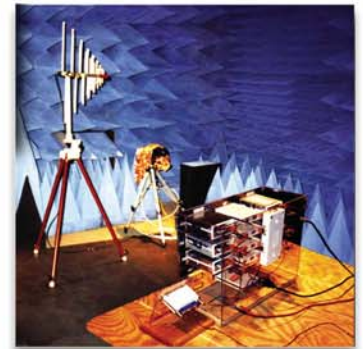
Quality by Design, Proven by Testing, Testing and Even More Testing



ESD Testing
±2KV, 4KV, 8KV & 25KV



NOISEKEN Burst Testing, Direct and Coupled. Selectable pulse width from 50nS to 1.2µS at 0 to 100Hz with sub nano sec rise time.



Input signal capacitive clamp

E.U.T

RF field strength meter RF Injection Clamp



Laboratory TEM Cell for testing RF Immunity and Emissions

RF inputs from 50 to 500 MHz at field strengths up to 300V/m.

Completely shielded from external noise, precision RF emissions can be measured, from 30 MHz to 1 GHz at 10 to 500 dB-microvolts.



Open Air EMI Emission Testing to CSPR 22

Magnetic Field Immunity Testing

All 3 axes at field strengths of 30 Amp/m .



Extreme Temperature Cycling
Temperature testing from -40°C to +70°C in 14 seconds



Life Testing at elevated temperatures



Shake and Vibration Testing



Precision Case Tooling



Impact/Drop Testing

6" Edgewise



Texmate Panel Adapters



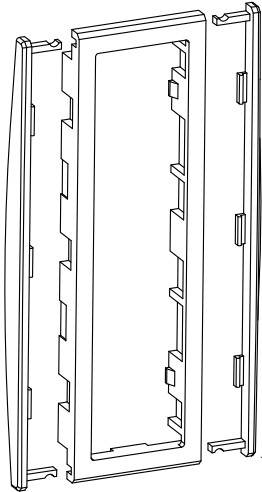
6" Edgewise

When extra panel mounting tightness is required, order the optional screw mount clip. P/N (75-DMC14436)

Adapter uses wide jaw mounting slide clips. P/N (75-DMC14436)

Fits 6" Edgewise Pointer Meter Cut-Outs

The adapter snaps on the 36x144 mm (1.42"x5.69") case and enables single unit or stack mounting in an existing 6" edgewise pointer meter cut-out.



Panel Adapter
Part #: OP-PA/144X36

Fits Existing Cut-outs for

- Crompton
- G.E.
- Westinghouse
- Yokogawa
- and most other

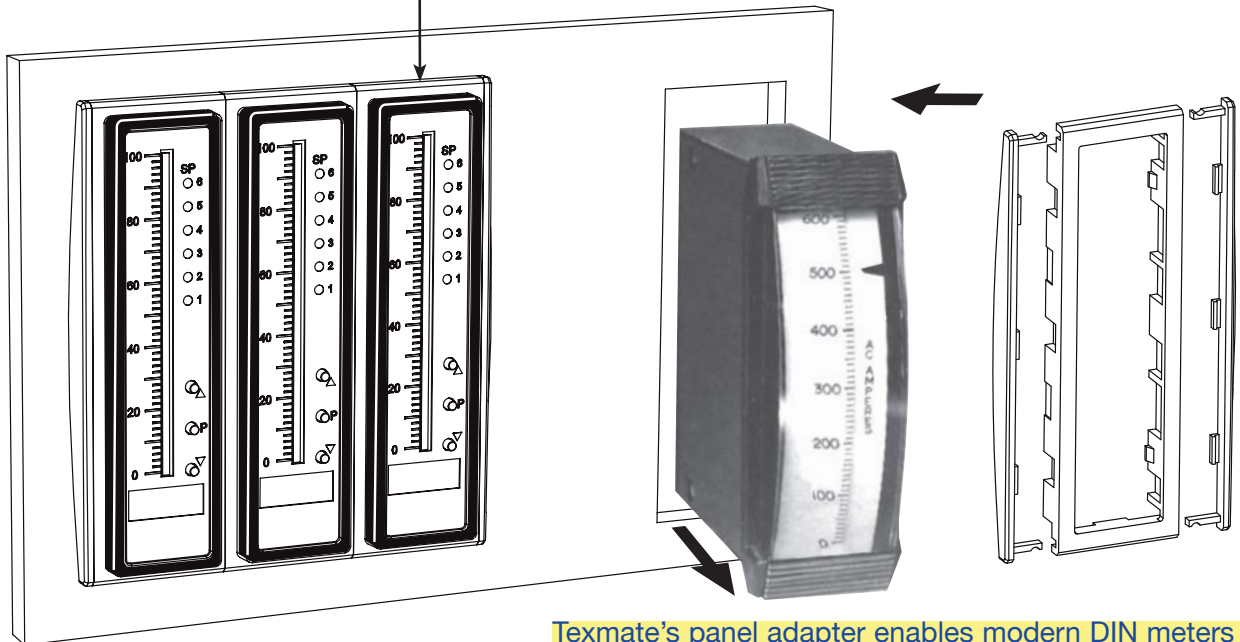
6" (150 mm) Edgewise switchboard pointer meters

Width: 43.7 mm to 48 mm (1.72" to 1.89")
Height: 143.4 mm to 149 mm (5.62" to 5.88")

Two bezel trim strips are provided with each adapter to finish off the edge of each individually mounted meter or the edge of each stack mounted array.

These trim strips match the appearance of the trim strips used with most 6" mechanical meters.

FL-B101Q bargraphs are available with the bar either to the left or right side to match mechanical meters that have left or right sided pointers.



Texmate's panel adapter enables modern DIN meters to fit in existing cutouts individually or stacked when replacing old 6" edgewise mechanical pointer meters.

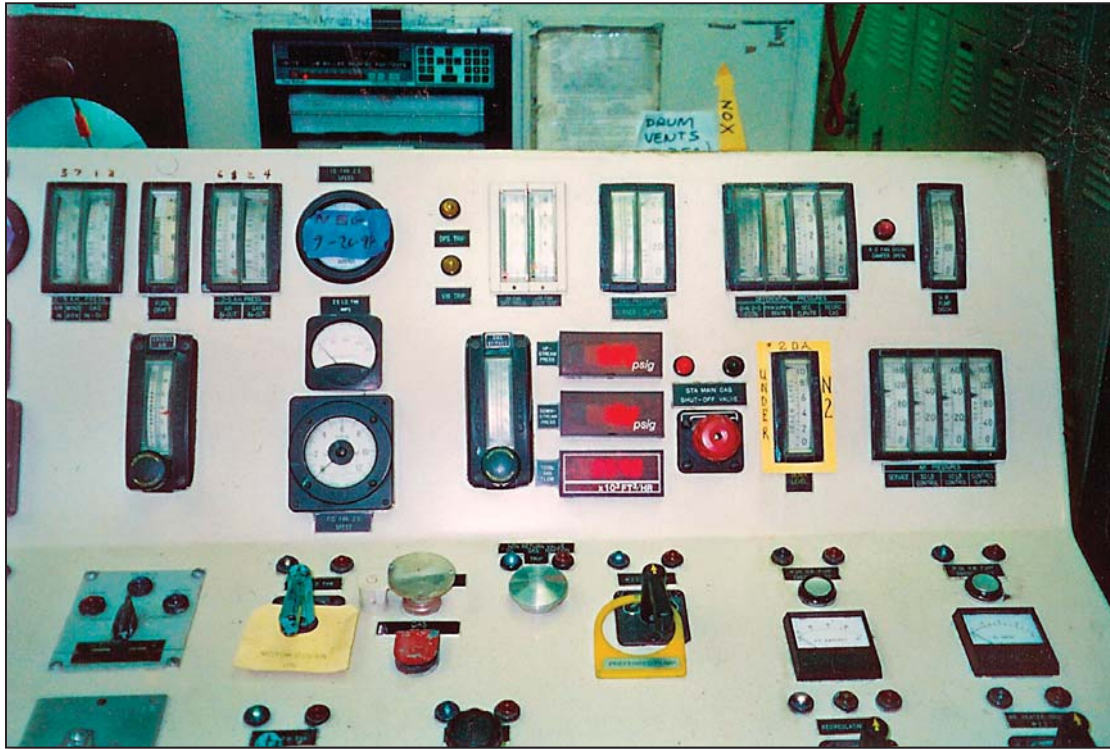
4 1/2" Switchboard



Texmate Panel Adapters



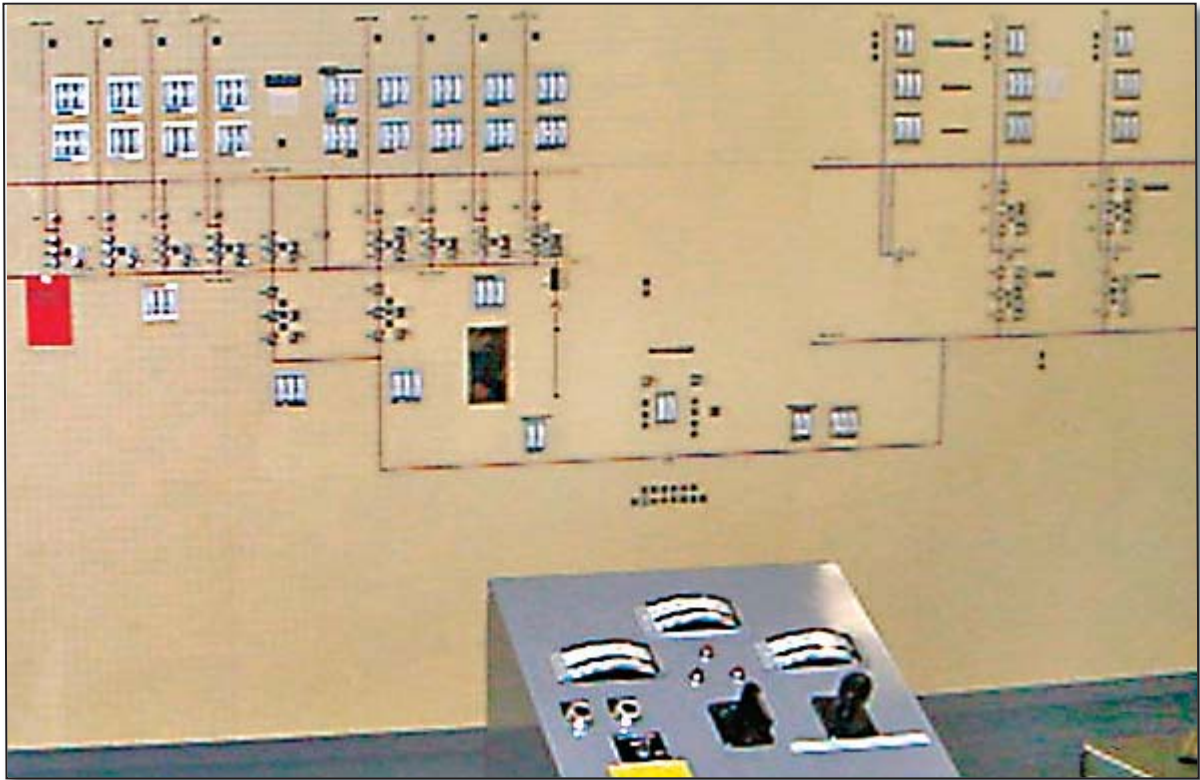
4" Edgewise



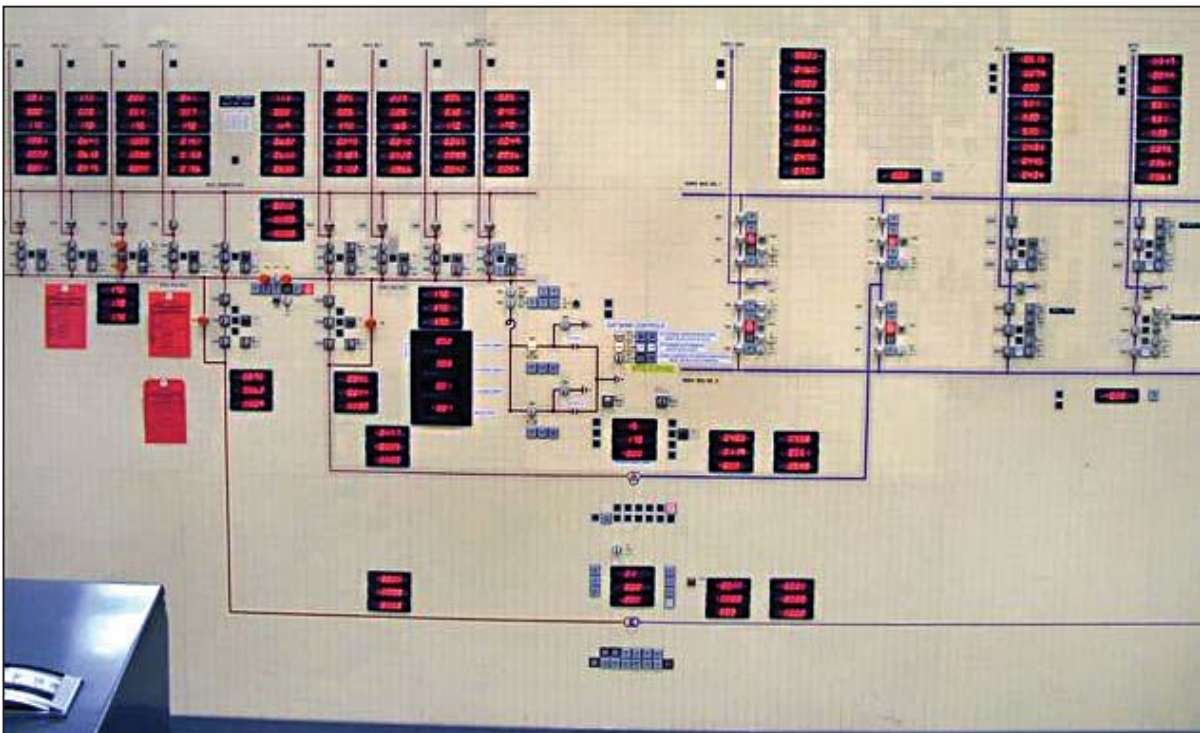
Texmate Panel Adapters



4" Edgewise



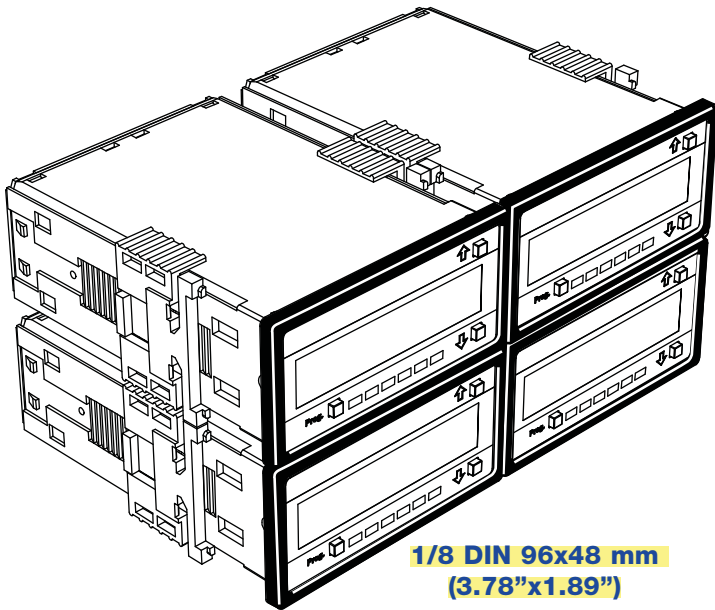
Volunteer Substation Before



Volunteer Substation After

Mosaic

Stackable Cases



**1/8 DIN 96x48 mm
(3.78"x1.89")**



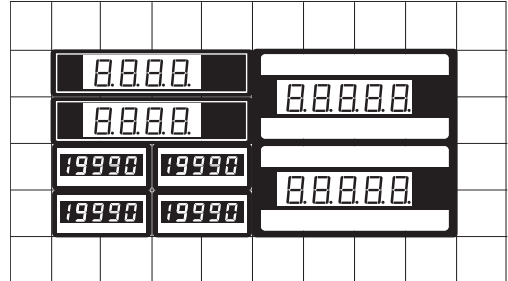
**1/16 DIN 96x24 mm
(3.78"x0.95)**



**1/32 DIN 48x24 mm
(1.89"x0.95")**

Mosaic and Stacked Array

Texmate's International DIN cases are particularly suited for mounting individually or in stacked arrays in mosaic panels or thick insulative panels.



1/8 DIN 96x48 mm (3.78"x1.89") Stack Mounting Case

96x48 mm case can mount in thin panels or panels up to 50 mm (2.0") thick. They can also stack mount, 2 up in existing cutouts for 1/4 DIN (96x96 mm) or 4 up in 1/2 DIN (96x192 mm).

For additional strength, extra Mounting Slide Clips can be ordered & doubled up one behind the other. (P/N: 75-DMTCLIPF).

When extra panel mounting tightness is required, optional Screw Mounting Clips are included which fit on the Mounting Slide Clips. (P/N: OP-MTLCLIP).

1/16 DIN 96x24 mm (3.78"x0.95") Stack Mounting Case

Texmate's 96x24 mm case can mount in panels up to 75 mm (2.94") thick. They can also stack mount, 2 up in existing cut-outs for 1/8 DIN (96x48 mm) or 4 up in 1/4 DIN (96x96 mm).

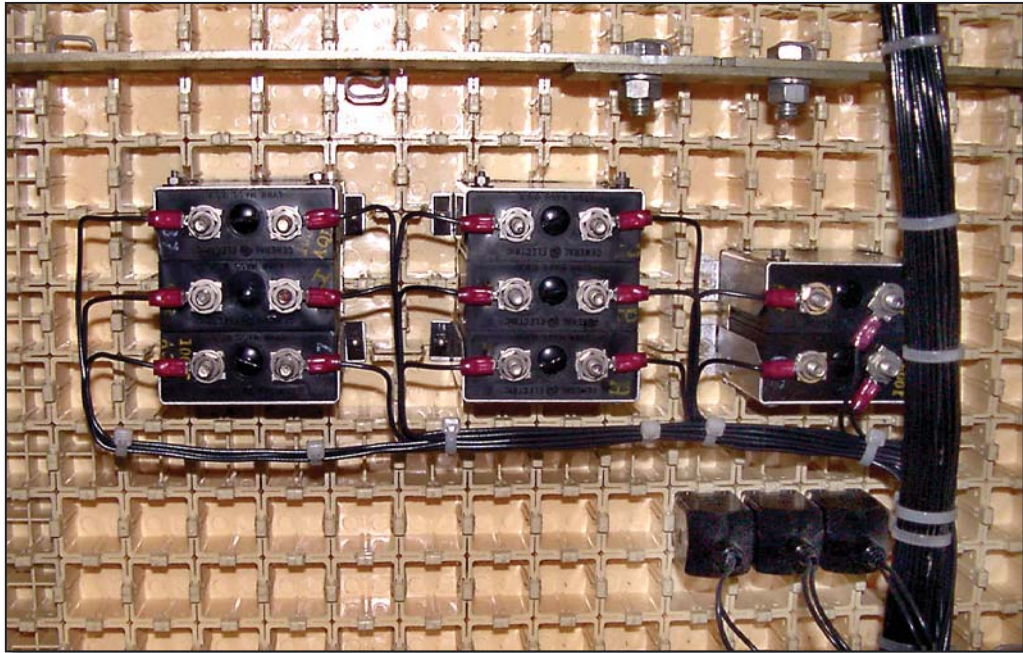
For additional strength, extra Mounting Slide Clips can be ordered & doubled up one behind the other. (P/N: 75-DMT96X24).

When extra panel mounting tightness is required, optional Screw Mounting Clips are included which fit on the Mounting Slide Clips. (P/N: OP-MTLCLIP).

1/32 DIN 48x24 mm (1.89"x0.95") Stack Mounting Case

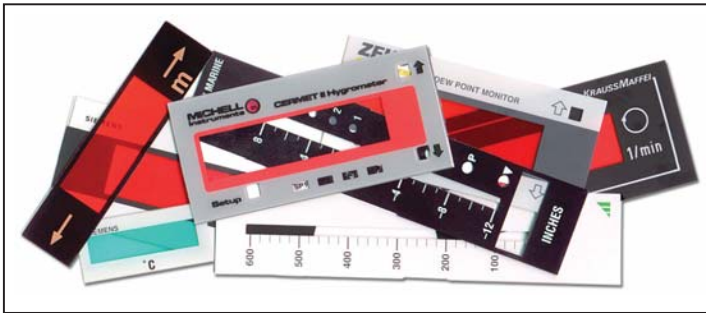
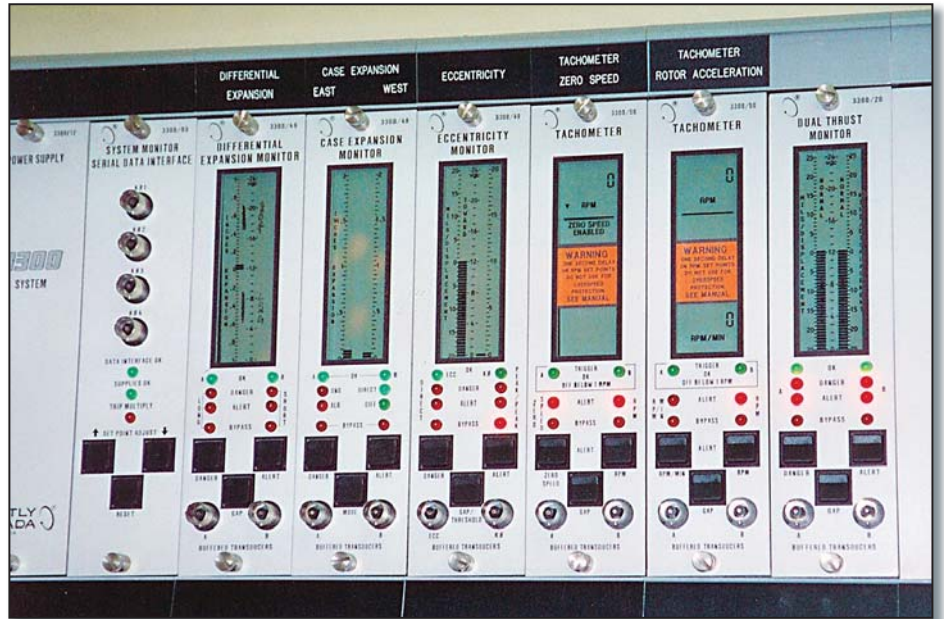
Texmate's 48x24 mm case mount in panels or insulative panels up to 47.6 mm (1.88") thick. They can also stack mount, 2 up in existing cut-outs for 1/6 DIN (96x24 mm) or 4 up in 1/8 DIN (96x48 mm).

Mosaic



Texmate Panel Adapters

Custom



Custom Face Plates and Custom Scales

Texmate Produces Thousands of Custom OEM Face Plates. Have texmate design and build a custom face plate to suit your next project!

Metal Surround Cases

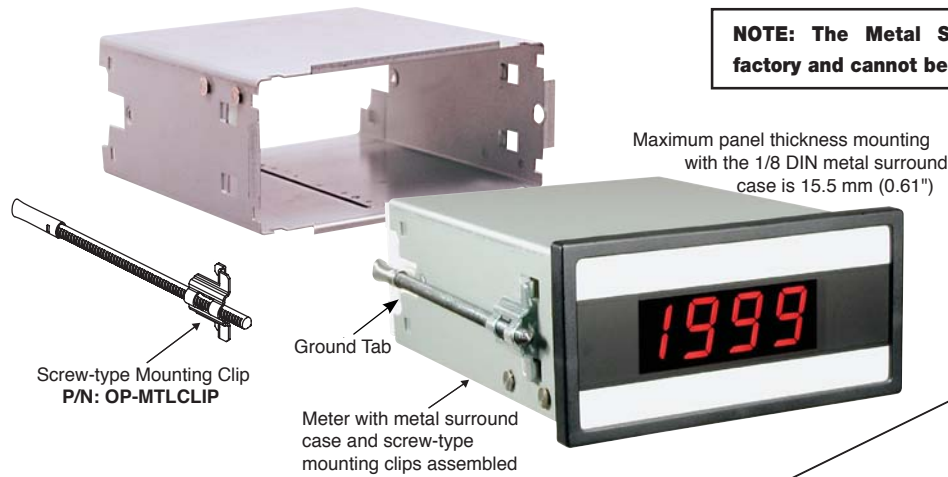
Texmate's meter cases are made from approved, self extinguishing, high strength, injection molded polycarbonate. For critical panel applications a metal surround case can be ordered which enhances the meter's fire resistance capabilities. Instrument panel fires are typically exacerbated by flaming debris landing on a self extinguishing plastic case igniting it and maintaining combustion of the products housed above. Texmate's metal surround case option effectively cancels this chain reaction. The metal surround case can also help to provide shielding against electromagnetic interference (EMI)

from entering or exiting an enclosure in which the meter is mounted. The metal case slides over the polycarbonate case and is held firmly in place by spring-type non-return clips. Once the metal case has been fitted to the polycarbonate case it cannot be removed.

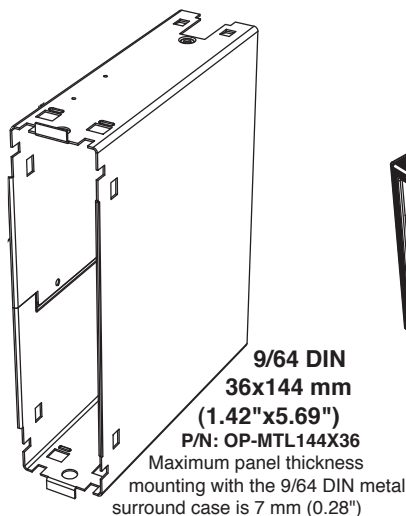
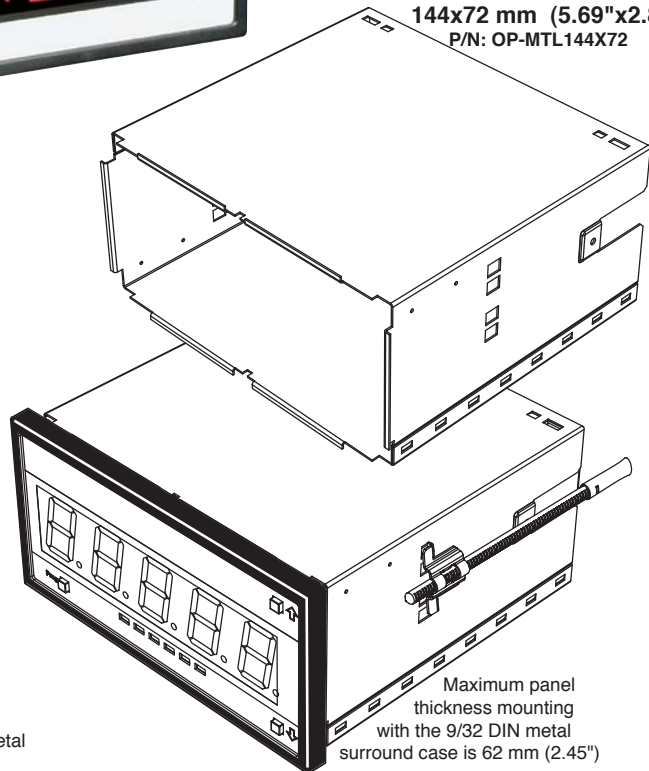
With the metal case in place, the meter's plastic ratchet-type mounting clips can no longer be used. Instead a pair of DIN screw-type mounting clips are inserted into holes on the side of the metal case and used to mount the meter in the panel. A ground tab on the metal case is riveted through the case wall for external grounding.

Texmate Panel Adapters

1/8 DIN 96x48 mm (3.78"x1.89")
P/N: OP-MTL96X48



9/32 DIN
144x72 mm (5.69"x2.84")
P/N: OP-MTL144X72



NEMA 4X Lockable Splash Proof Cover

Clear NEMA 4X Covers fit any 1/8 DIN or 9/64 DIN meter.

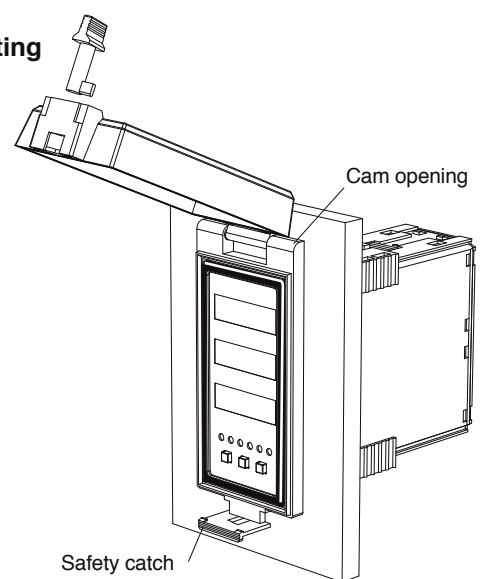
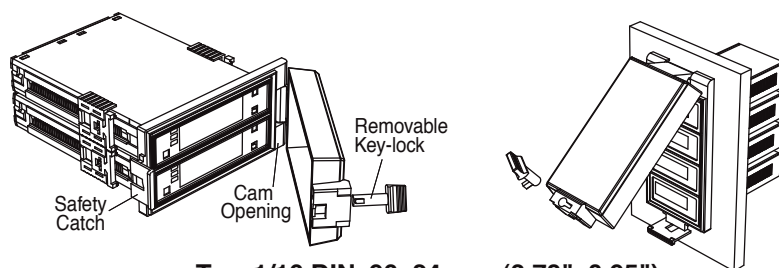
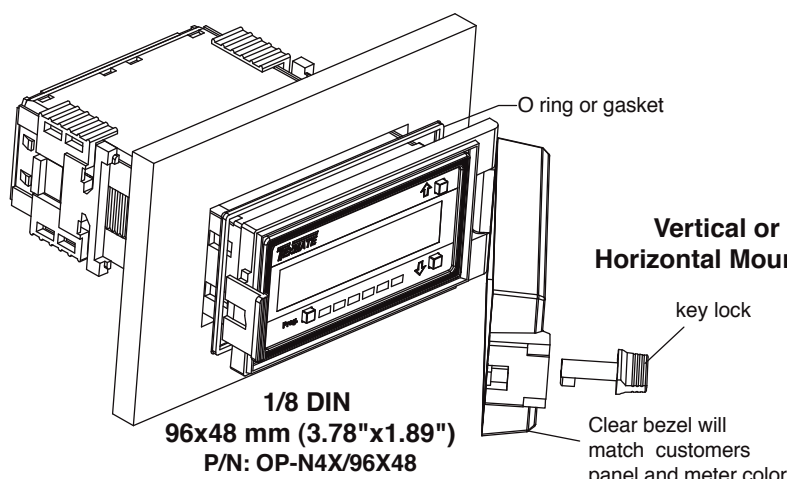
This rugged, impact resistant, clear lens cover is designed to be dust and water proof to NEMA 4 and IP65 standards. The lens cover consists of a base and cover with a cam hinge and key-lock locking device.

An O-ring, or neoprene gasket forms a seal between the base and the panel. When opened, a cam hinge prevents the cover from closing until pushed closed.

The cover has a tapered recess that, when closed, forms a capillary seal with a tapered ridge on the base. A capillary seal is created when capillary action causes a small amount of water to be drawn in between the two surfaces producing a water tight film around the sealing area.

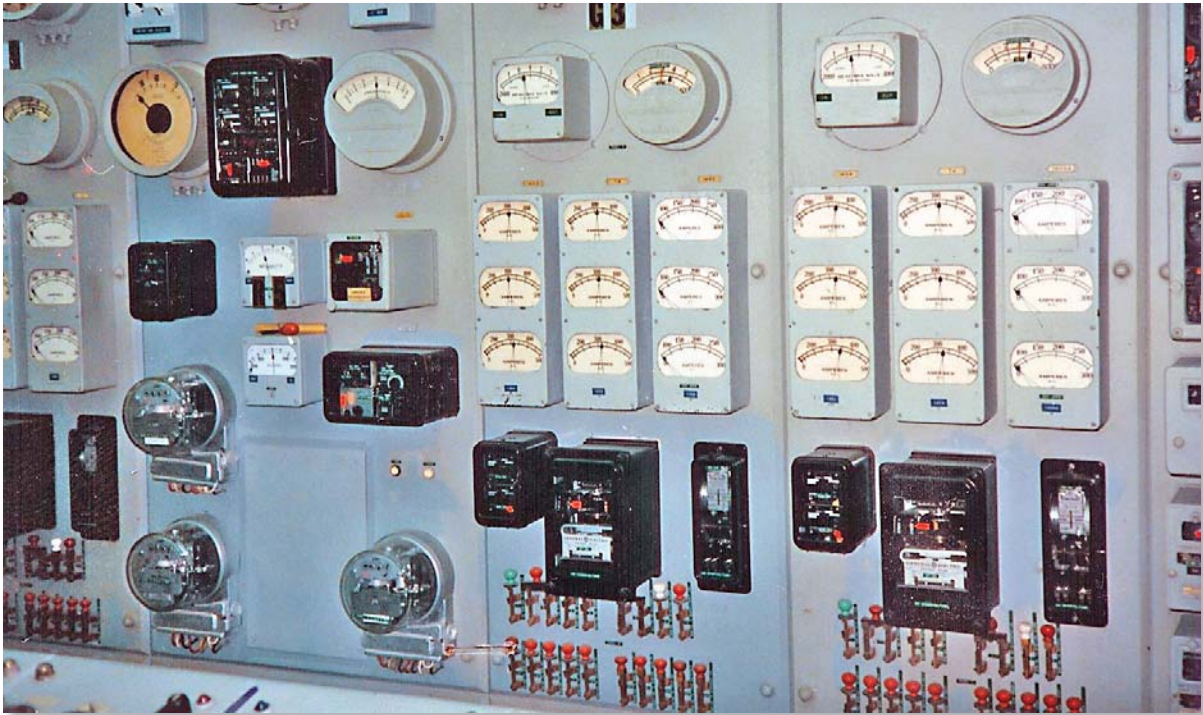
For those applications, such as food processing, where fluid residues are unacceptable, apply a light coating of clear silicone grease, or other approved sealant to the mating groove to prevent any ingress of liquid and enable the cover to withstand steam cleaning.

Turning the key-lock tightens the cover to the base, ensuring seal integrity. A safety catch keeps the cover closed even when the key is turned to the open position and removed. The keyhole can also be used to attach a safety seal clip, preventing unauthorized opening.



Two 1/16 DIN, 96x24 mm (3.78"x0.95") or Four 1/32 DIN, 48x24 mm (1.89"x0.95") case can also be used. [To mate Panel Adapters](#)

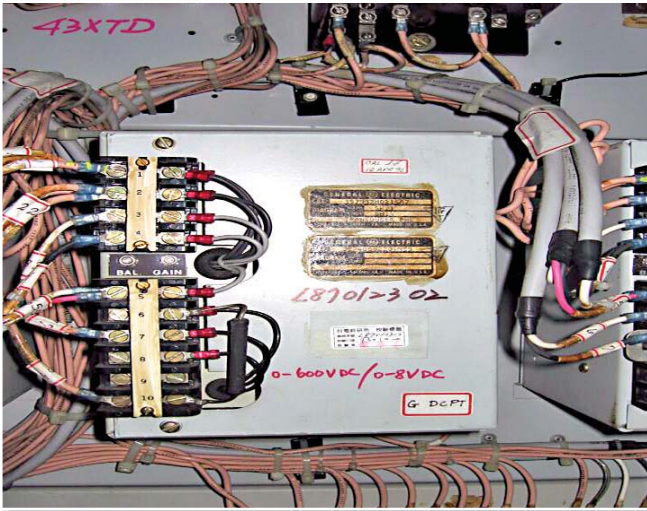
Power Meters



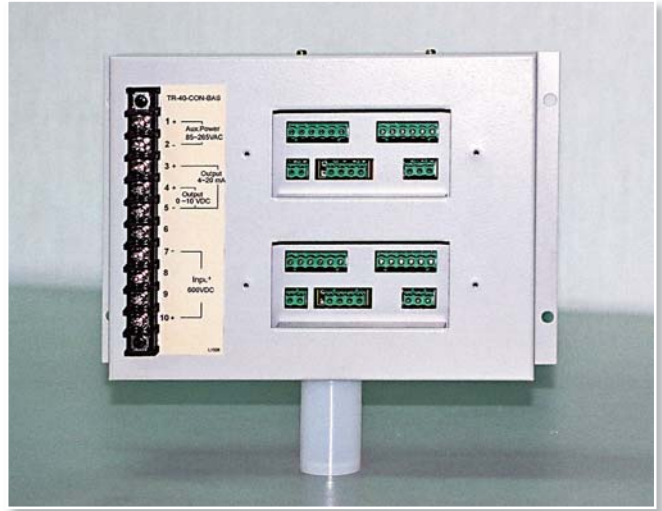
Texmate Power Meters



Transducers



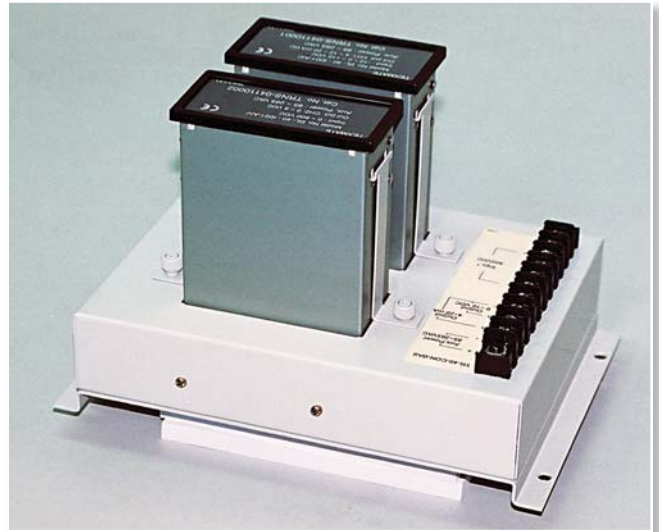
Power Transducer Before



Power Transducers After

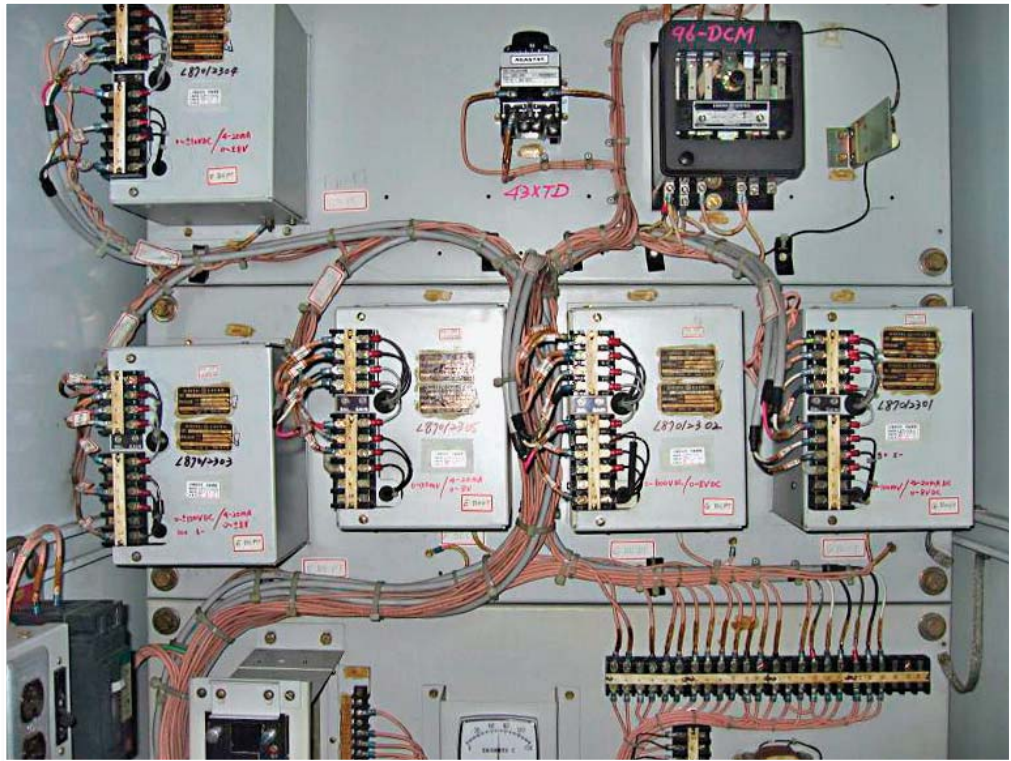


Power Transducers After



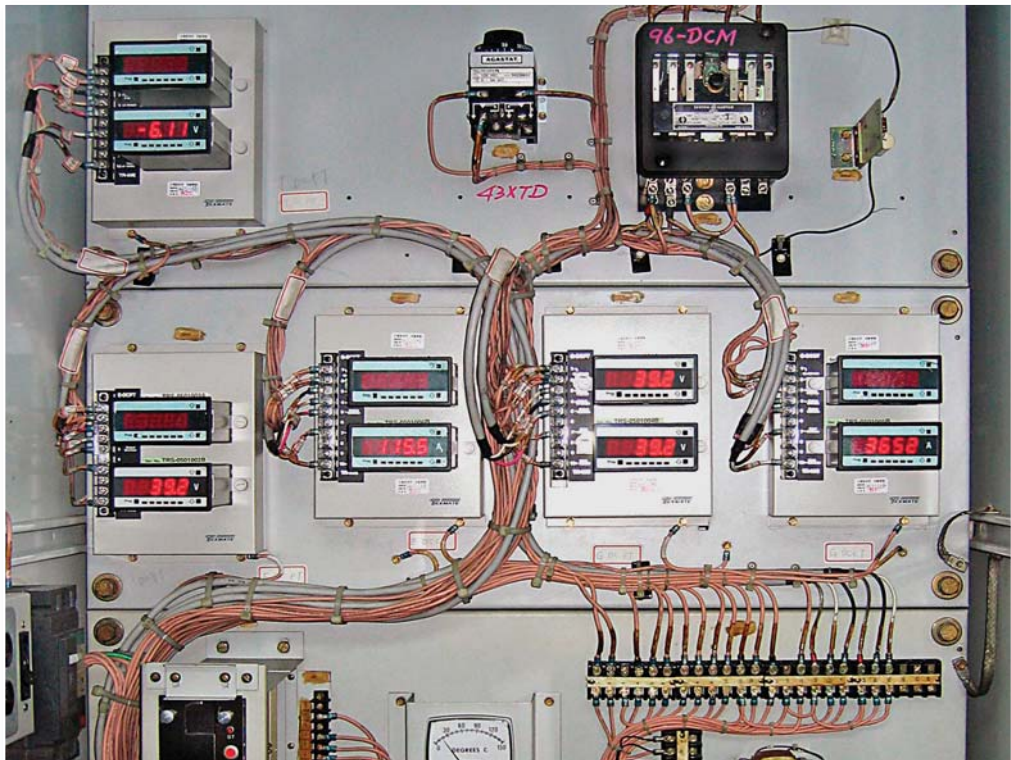
Power Transducers After

Transducers



Power Transducer Before

Power Transducer After



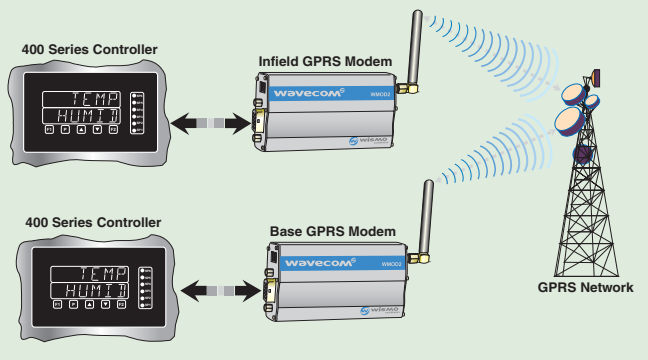
Wireless Communication

GPRS TECHNOLOGY GIVES TEXMATE THE EDGE WITH M2M APPLICATIONS

Combinations of Texmate 380 Series controllers coupled to GPRS modems, Texmate brings a new dimension to packet data service solutions.

Infield to Base Mirroring

Have one controller in the field and a mirror of the controller at the base, or even in the lab. A great way to simulate in-the-field environments with no computers involved.



Wireless Data Logging

Have your data emailed directly to you – no more connecting cables and running download programs.

- Get infield application data to your mobile.
- Use your mobile to control your controller.
- Send infield application alarms to your mobile.
- Get SMS to your mobile.

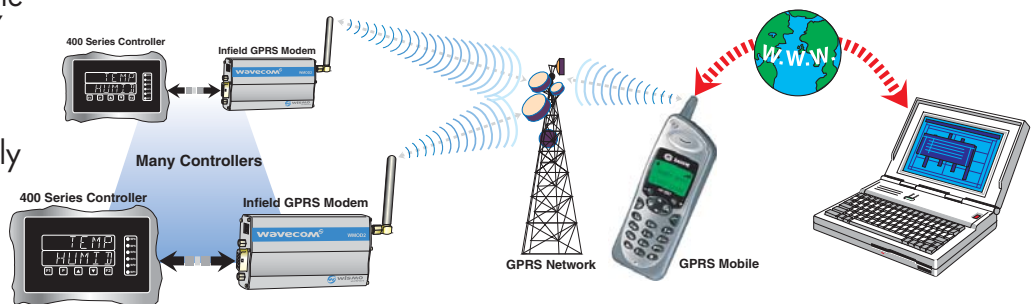
Note:

Texmate does not recommend SMS for time critical alarm notification.



Internet Control or Monitoring of Your Machine from Anywhere to Anywhere Worldwide

- By using a real-time connection, your machine can be connected 24/7 for practically no cost.
- Alter setpoints and control strategies instantly from your desk.
- Get data from 100s of machines at the same time.



Remote Diagnostics

What if your sensor fails?

- Remote diagnostics of an infield application can inform you of this via automatic email.
- Data acquisition of infield applications can also be sent via automatic email.

