

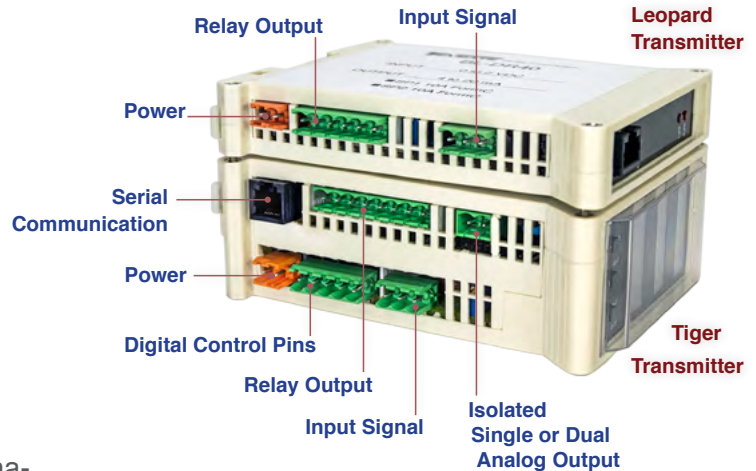
**Texmate Transmitters / Controllers / MicroPLC**



**Din Rail Mount  
Leopard And Tiger Series Transmitters/  
Controllers/ MicroPLC**



**Leopard Transmitters  
Remote Display Programmer**



**Powerful Texmate Tiger Transmitter/  
Controller/ MicroPLC**

- A transmitter to take care of all your automation and control applications.
- Macro (custom app) capable to suit your very special needs for any unique custom applications.
- Easy to set up and view using Texmate free configuration utility and data viewer software
- Over 150 of input signal conditioning cards available to be used with any type of sensor, from pressure, load cell, proximity, ph, RTD, TC, thermistor, LVDT, magnetostrictive, quadrature encoders.....
- Single phase ac measurements, acv, acamps, watts, power factor, hertz, wh, varh.
- Process. From a single to a quad, 4-20 ma, dc, dcmv.
- Thermocouple, rtd and other combinations, rtd+4-20ma, thermocouple+dcv.
- Various types of outputs.
  - single and dual analog outputs, 4-20mA and 0-10vdc.
  - RS-485/ modbus, RS-323 /modbus, usb, ethernet / modbus
  - single to six dry contact relays, available in 4a and 9a
  - six input and sixteen output opto isolated i/o modules.
  - data acquisition module with a removable sd card 4gb
- Excitation available, 24/10/5 vdc to power proximity sensors, 4-20 transmitters, load cells and encoders.