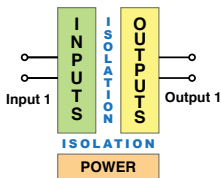


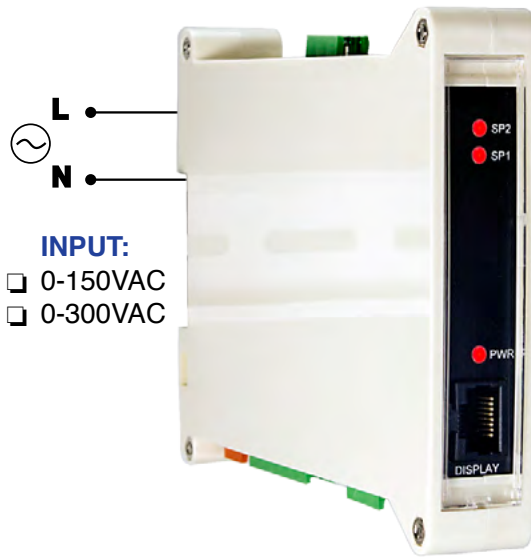


Leopard TL-ACV-RMS Transmitter / Controller

- ▶ Compact, 22.5mm, DIN Rail Mount Transmitter
- ▶ AC Volts Scaled or True RMS to 4-20mA Transmitter
- ▶ Two optional 6A FormC Relays
- ▶ Triple Isolated: Power to Inputs
Power to Outputs
Inputs to Outputs



Power to Inputs
Power to Outputs
Inputs to Outputs



INPUT:
 0-150VAC
 0-300VAC

Active OUTPUT
- 4-20mA 4-20mA
+ Isolated 0-10V

SP1 Optional Relay

6A Form C Relays

SP2 Optional Relay



POWER SUPPLY
15 to 48 VAC 3.5W
50-400 Hz
PS2 Fuse Not Replaceable
10 to 72 VDC 3.5W

PS2

PS1 85 to 265 VAC 3.5W
50-400 Hz
95 to 300 VDC 3.5W

PS1



Optional Remote Display Programmer
Needed for Programming Relays



TL-ACV-RMS . AC Volts Scaled RMS.....\$189
..... AC Volts True RMS.....\$209

▶ **POWER SUPPLY**

PS1 85-265VAC/95-300VDC\$0
PS2 15-48VAC/10-72VDC\$35

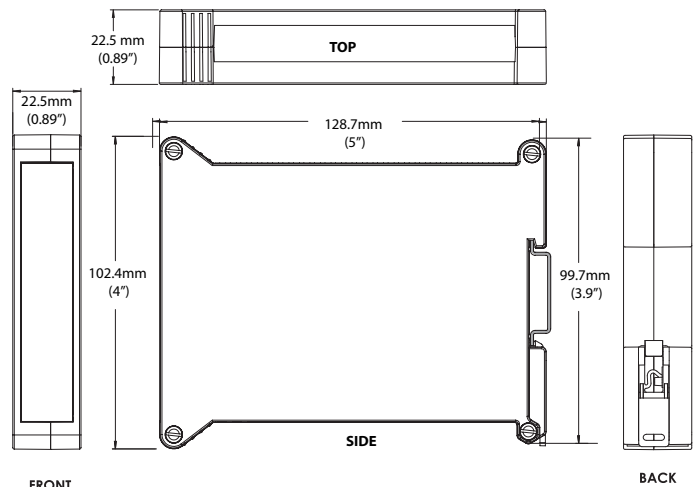
▶ **RELAY OUTPUT**

R11 Single 6A Form C Relay\$40
R12 Dual 6A Form C Relays\$75

Short Depth 96x48 Remote Display/Programmer Kit
OP-TL/RDISP . . Remote Display/Programmer
w/Cable and Belt clip Carrying Case\$75



CASE DIMENSIONS



- For ordering info call: 1-800-TEXMATE or 760 598-9899
 - Email: orders@texmate.com • Fax: (760) 598-9828
 - For tech assistance call: (760) 598-9899
- 450 State Place, Escondido, CA 92029