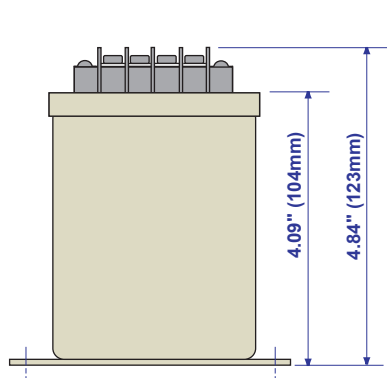
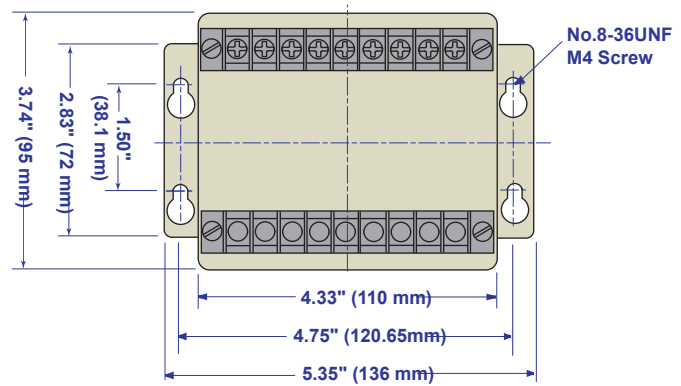
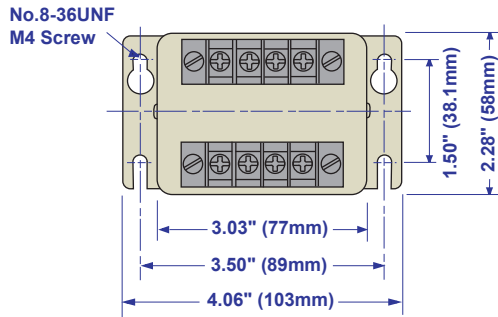
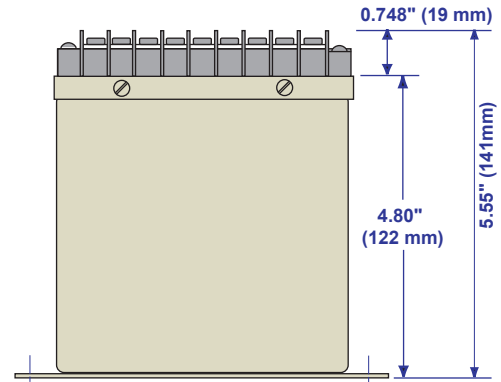


TRANSDUCER CASE DIMENSIONS - A and B

Metal Case, Screw Mounting



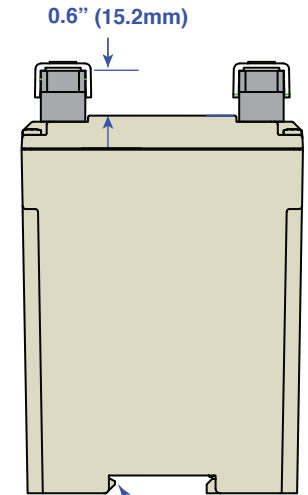
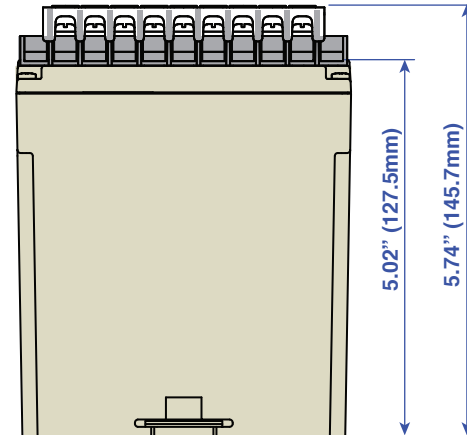
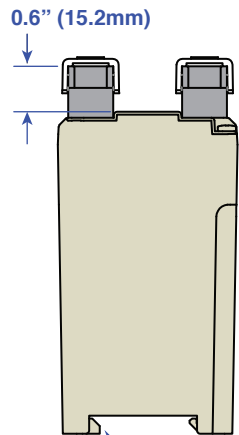
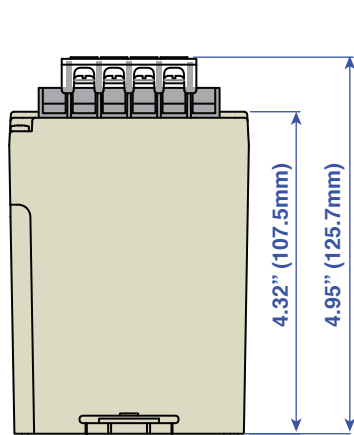
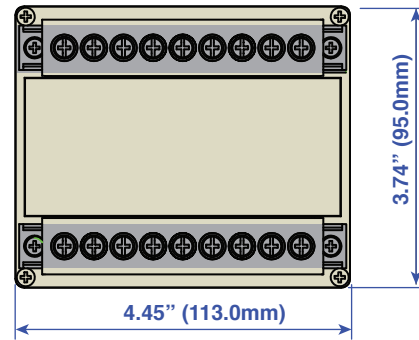
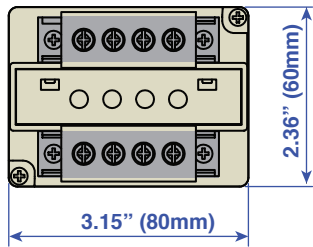
CASE A



CASE B

TRANSDUCER CASE DIMENSIONS - C and D

Fire Retardant, ABS Case, DIN Rail Mounting



CASE C

CASE D