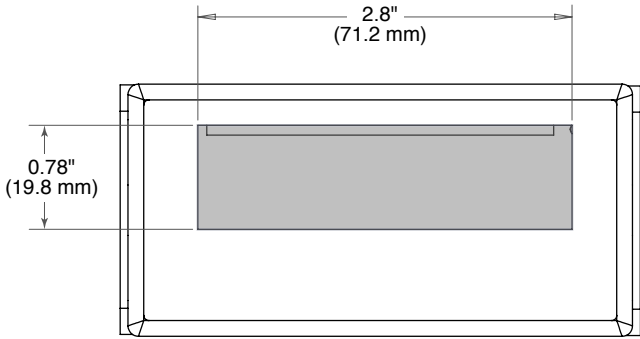
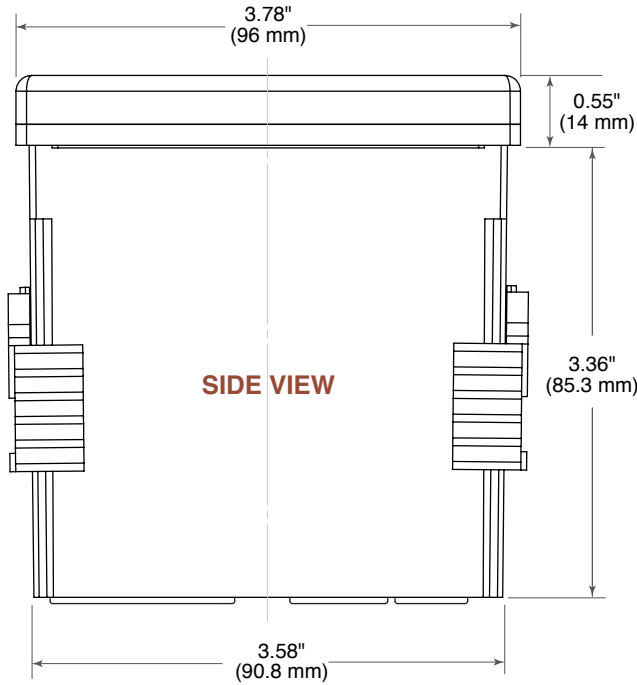
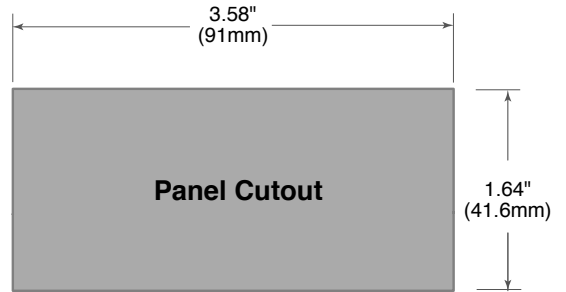


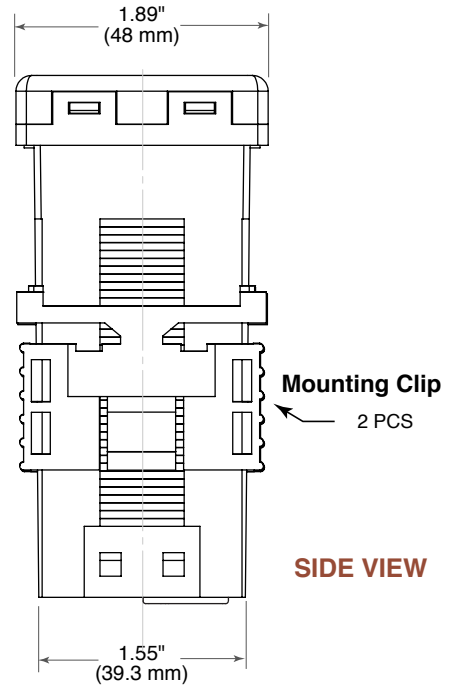
**UM Series NEMA Case Dimensions and Panel Cutouts**



**FRONT VIEW**



**SIDE VIEW**



**SIDE VIEW**

