



BN-35BCD

Remote BCD Display 3 1/2 Digit 0.56" LED in a 1/16 DIN Case

5VDC Powered LED BCD Input Meter in DIN 96X24mm Case.

General Features

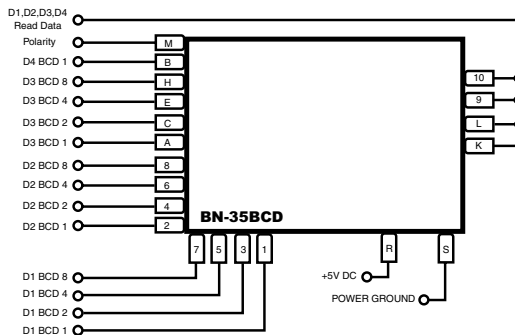
The BN-35BCD is a 3 1/2 digit remote or slave BCD display with polarity that is popularly used to display the BCD output from a PLC system.

For applications where more digits need to be displayed, the 4 digit BN-40BCD may be used. The BN-35BCD and BN-40BCD are ideal solutions for low cost operator interfaces.

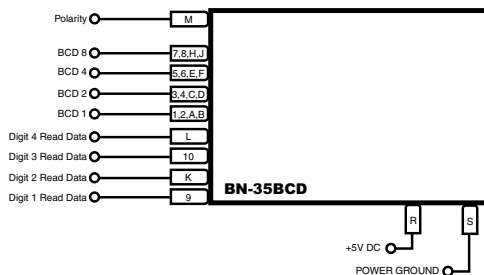
Both BN-40BCD and BN-35BCD are powered from 5V DC. They are shipped standard with Red LEDs, but green LEDs or super bright LEDs for high ambient light conditions are also offered.

Typical Application Connections

BN-35BCD with parallel BCD input.

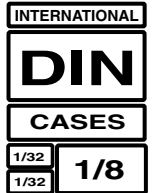


BN-35BCD with multiplexed BCD input.



Compatibility

The BN-Series have a matching DIN case style that is complementary to the Lynx, Leopard and Tiger family of meters. BN-Meters are the OEM's choice for economical switchboard and process indication. For economy, each model is dedicated to a specific application and designed for quick and easy installation.



Specifications

- Input Configuration:**BCD 1-2-4-8 code, positive logic
- Full Scale Ranges:**±199.9mVDC ±1.999VDC (standard)
±19.99VDC±199.9VDC
- Input Impedance:**Exceeds 100MΩ on 200mV, 2V ranges.
1MΩ other ranges.
- Input Protection:**±100V AC/DC for 200mV, 2V and 20V ranges.
±250VAC/DC for 200V range
- Conversion Rate:**3 readings per second
- Common Mode Rejection:**...80dB at DC
- Normal Mode Rejection:** ...60dB at 50/60Hz for 200mV and 2V ranges.
- Common Mode Voltage:**-1V to +2VDC
- Accuracy:**± (0.05% of reading + 1 digit)
- Temperature Coefficient:**5ppm/°C in ratiometric mode 50ppm/°C in 200mV / 2V ranges
- Maximum resolution:**100μV in 200mV range.
- Zero Stability:**.....Autozeroed. 0.1 counts per °C
- Display:**.....0.56" high red LEDs. Display Hold, Blank and Test provided.
- Over-range Indication:**The most significant digit "1" is displayed with all the other digits blanked.
- Power Supply:**.....5VDC @ 200mA.
- Operating Temperature:** ...0°C to 70°C (5V supply);
0°C to 50°C (12V supply)
- Storage Temperature:**.....-12°C to 80°C
- Relative humidity:**.....95% (non condensing)
- Case Dimensions:**Bezel: 96X24 mm (3.62" X 0.95")
Depth behind bezel: 56.5 mm (2.23")
Plus 27 mm (1.06") for Push-On connector
or plus 17.5 mm (0.68") for Edge connector
- Weight:**.....10 gms (.35 oz)

BN-Series

- BN-35**0.2/2/20/200V DC ranges, 3.5 digit, 5V DC Powered
- BN-35BCD**Parallel or Multiplex BCD, 3.5 digit, 5V DC Powered
- BN-35CL**4 to 20mA, Isolated 24V DC, 3.5 digit
- BN-35I**0.2/2/20/200V DC ranges, Isolated 24V DC, 3.5 digit

- BN-40BCD**Parallel or Multiplex BCD, 4.0 digit, 5V DC Powered
- BN-45**2/20/200V DC ranges, 4.5 digit, 5V DC Powered
- BN-45I**2/20/200V DC ranges, Isolated 24V DC, 3.5 digit