

TEXMATE

DU-35CLE

4-20mA Process Loop
with built-in loop excitation
3 1/2 Digit with 0.56" LEDs
in a 1/8 DIN Case



Easily user scaled, this meter has built-in 24V loop excitation, and is ideal for 4-20mA process measurement and loop indication in any engineering unit of measure.

General Features

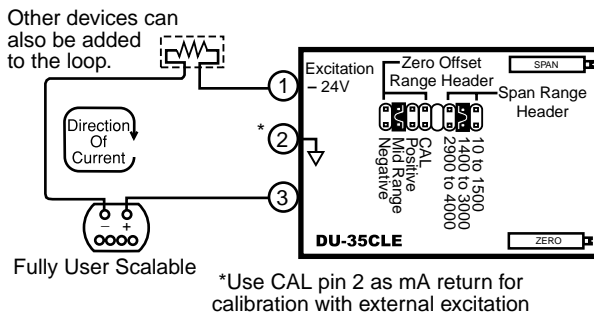
The DU-35CLE is an economical 4-20mA process loop measuring meter with a built-in 24V DC power supply to provide loop excitation. It is easily user adjustable to any reading between -1999 and +1999 without component changes. The 15 turn infinitely adjustable Span and Zero Pot facilitate easy scaling in engineering units.

An economical option is the dummy (non-functional) right-hand-side zero which allows the DU-35CLE to display of readings from -19990 to +19990 without going to the expense of a 4.5 digit meter. The apparent resolution with the dummy zero option would be 10 counts.

Typical Application Connections

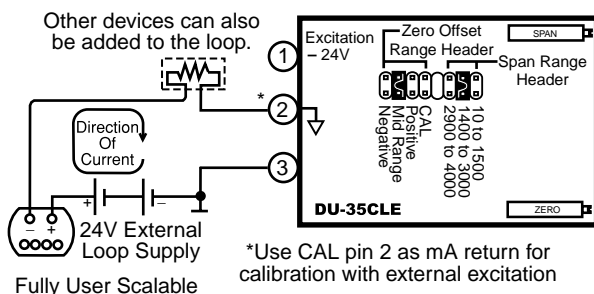
4 to 20mA Process Loop Measurement

Meter provides the loop excitation voltage.



4 to 20mA Process Loop Measurement

Where the DU-35CLE meter does not provide the loop excitation voltage.



Compatibility

The DU-Series have a matching DIN case style that is complementary to the Lynx, Leopard and Tiger family of meters. DU-Meters are the OEM's choice for economical switchboard and process indication. For economy, each model is dedicated to a specific application and designed for quick and easy installation.



Specifications

Input Configuration:Series connection to 4-20mA process loop. Provides 24V DC to excite the loop.

Loop Excitation:24V DC at 30mA. Provided by the meter.

Full Scale Ranges:User adjustable to any scaling between -1999 to +1999.

Input Impedance:70Ω. Maximum 1.4V drop

A/D Converter:12 Bit Dual Slope

Accuracy:± (0.05% of reading + 3 digits)

Temperature Coefficient: 100ppm/°C (Typical)

Warm Up Time:One minute to specified accuracy

Conversion Rate:3 readings per second

Display:0.56" hi efficiency Red or optional Green LEDs. Display Hold and Display Test are provided.

Polarity:Bipolar. Assumed positive displays negative.

Decimal Selection:Header under face plate, X•X•X•X•

Over-range Indication: ...Most significant "1" digit and polarity signal are displayed with all other digits blank.

Power Supply (std):120/240V AC, 50/60 Hz. approx 2.5W.

(Optn) VO-DC/ISOIsolated Switcher 9 to 36V DC/12 to 24V AC

(Optn) VO-24VIsolated Transformer 24V AC ±10%

(Optn) VO-5V DCNon-isolated 5V DC ±10%

Operating Temperature: ...-10 to 50 °C

Storage Temperature:-20 to 70 °C

Relative Humidity:95% (non-condensing)

Case Dimensions:1/8 DIN, Bezel: 96x48mm (3.78"x1.89")
Depth behind bezel 117 mm (4.61") plus 11.8mm (0.47") for Right-angled Connector or 20mm (0.79") for Straight-through Connectors.

Weight:11 oz., 14 oz when packed

DU-Series, the OEMs choice for switchboard and process indication

DU-35AC11/5AC amps, Scaled RMS. (1 or 5 Amp Internal shunt), 3.5 digit

DU-35ACIRMS1/5AC amps, True RMS. (1 or 5 Amp Internal shunt), 3.5 digit

DU-40AC11-5AC amps, Scaled RMS. (1 or 5 Amp Internal shunt), 4 digit

DU-35ACAC volts, Scaled RMS. 199.9/700V AC Header Selectable Ranges, 3.5 digit

DU-35ACRMSAC volts, True RMS 199.9/700V AC Header Selectable Ranges, 3.5 digit

DU-40ACAC volts, Scaled RMS. 700.0V AC full scale, 4 digit

DU-35HZ15.0Hz to 199.9Hz or 15/500Hz. Up to 700V AC input, 3.5 digit

DU-35DC volts ±2V/±20V/±200V Header Selectable Ranges, 3.5 digit

DU-35MVDC mV ±50mV, ±100mV, ±200mV Header Selectable Ranges, 3.5 digit

DU-45DC volts ±2V/±20V/±200V Header Selectable Ranges, 4.5 digit

DU-45MVDC mV ±50mV/±100mV/±200mV Header Selectable Ranges, 4.5 digit

DU-35CLProcess 4 to 20mA (100.0), easily user scalable, 3.5 digit

DU-35CLEProcess 4 to 20mA (100.0) with 24V DC excitation, scalable, 3.5 digit

DU-45CLProcess 4 to 20mA (100.00), easily user scalable, 4.5 digit

DU-35PPressure, strain gage and load cell, 4 and 6 wire, 5V DC excitation, Header Selectable Sensitivity 2mV/V, 5mV/V, 10mV/V, 20mV/V, 3.5 digit

DU-35J/KOrder J or K Thermocouple and °C or °F, 3.5 digit

DU-35RTD100Ω platinum RTD, 3 or 4 wire, order °C or °F and 0.1° or 1°, 3.5 digit