



BX-35-ACV

199.9/600V AC Volt True RMS

Direct AC voltage measurement up to 600V AC with safe resistively isolated differential inputs.

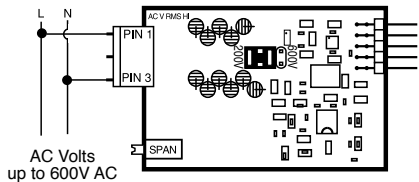
Suitable to be used with PT's with Secondaries 100V/120V/240V and more.

3 1/2 Digit with 0.56" LEDs in a 1/16 DIN Case

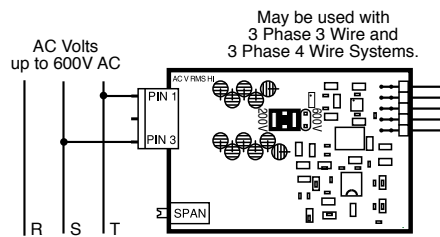
General Features

The BX-35-ACV is cost-effective, AC voltage measuring meter with two header selectable full scale ranges of 199.9/600VAC. The unique resistively isolated differential input of this meter allows safe measurement of phase to phase voltages. After selecting a new range, re-calibration is required. Display Hold and Display Test functions are also provided. The standard meters have a high efficiency red LED display.

Typical Application Connections



AC True RMS Voltage measurement in Single-phase Systems. (IA06)



AC True RMS Phase to Phase Voltage measurement in Multi-phase Systems. (IA06)

The unique differential input allows safe phase to phase AC true RMS line voltage measurements up to 600V AC.

Compatibility

The BX-Series have a matching DIN case style that is complementary to the Leopard and Tiger family of meters. BX-Meters are the OEM's choice for switchboard and process indication. Each model is dedicated to a specific application and designed for quick and easy installation.



Specifications

- Input Configuration:**..... Differential auto zeroing AC Volts true RMS to DC converter. Inputs are resistively isolated to 1400V from internal ground of meter by 1.94MΩ, so that phase to phase measurements up to 600V AC can be safely made.
- Full Scale Ranges:**..... Two header selectable ranges of 199.9VAC and 600VAC full scale
- A/D Converter:**..... 12 bit dual slope
- Input Impedance:**..... 4MΩ (minimum)
- Accuracy:**..... ±(0.05% of reading + 2 counts)
- Temp. Coeff.:**..... 100 ppm/°C (Typical)
- Warm up time:**..... 2 minutes
- Conversion Rate:**..... 3 conversions per second (Typical)
- Display:**..... 3 1/2 digit 0.56" Red LED display (std), 0.56" GREEN or Super Bright RED are optional. Range 0 to 1999 counts.
- Decimal Selection:**..... Header under face plate, X•X•X•X
- Positive Overrange:**..... 1 (MSD) is displayed with all other digits blank.
- Power Supply:**..... AC/DC Auto sensing wide range supply
 - PS1 (std)..... 85-265 VAC, 50-400Hz / 95-300 VDC @1.5W
 - PS2..... 15-48 VAC, 50-400Hz / 10-72 VDC @4.0W
- Operating Temp.:**..... 0 to 50 °C
- Storage Temp.:**..... -20 °C to 70 °C.
- Relative Humidity:**..... 95% (non condensing)
- Case Dimensions:**..... 1/16 DIN Bezel: 96x24mm (3.78"x0.95")
 - Depth behind bezel 122.2 mm (4.83")
 - Plus 12.7mm (0.5") for Right-angled connector.
- Weight:**..... 7 oz., 9 oz when packed.
- Certification:**..... UL Listed.

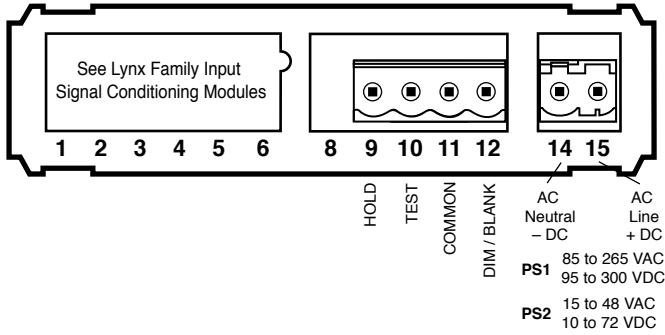
BX-Series, the OEMs choice for switchboard and process indication

- BX-35-ACA**..... AC amps, True RMS. (5 Amp Internal Shunt), 3.5 digit
- BX-35-ACV**..... AC volts, True RMS 199.9V/600V AC. Header Select Ranges, 3.5 digit
- BX-35-DCA**..... DC mV ±50mV, ±100mV, ±200mV Header Selectable Ranges, 3.5 digit
- BX-35-DCV**..... DC volts ±2V/±20V/±200V Header Selectable Ranges, 3.5 digit
- BX-35-CL**..... Process 4 to 20mA (100.0), easily user scalable, 3.5 digit w/Exc. opt
- BX-35-HZ**..... AC Line Frequency 15.0Hz to 199.9Hz. Up to 300V AC input, 3.5 digit
- BX-35-TC-KF or JF**..... K or J Thermocouple with °F, optional °C, 3.5 digit
- BX-35-RTD-F**..... 100Ω platinum RTD, 3 or 4 wire, °F in 1° resolution, optional °C, 3.5 digit
- BX-35-PRESSURE**..... Pressure, Load Cell 20mV/2mV/V, 5/10V Exc 4-wire 3.5 digit

- BX-45-ACA**..... AC amps, True. (5 Amp Internal Shunt), 4.5 digit
- BX-45-ACV**..... AC volts, True RMS 199.99/600.0V AC. Header Select Ranges, 4.5 digit
- BX-45-DCA**..... DC mV ±50mV, ±100mV, ±200mV Header Selectable Ranges, 4.5 digit
- BX-45-DCV**..... DC volts ±2V/±20V/±200V Header Selectable Ranges, 4.5 digit
- BX-45-CL**..... Process 4 to 20mA (100.00), easily user scalable, 4.5 digit w/Exc. opt
- BX-45-TC-KF**..... K Thermocouple with °F, optional °C, 4.5 digit
- BX-45-TC-JF**..... J Thermocouple with °F, optional °C, 4.5 digit
- BX-45-RTD-F**..... 100Ω platinum RTD, 3 or 4 wire, °F in 1° resolution, optional °C, 4.5 digit
- BX-45-PRESSURE**..... Pressure, Load Cell 20mV/2mV/V, 5/10V Exc 4-wire 4.5 digit

Connector Pinouts

This meter uses plug-in type screw terminal connectors for all connections.



Pin Descriptions

Pin 1 - Signal Input High: Signal high input for the meter. Full scale ranges of 199.9VAC or 600VAC can be selected on the Range Select Header.

Pin3-Signal Input Low: Signal low input for the meter.

Pin 9 - Hold: If this pin is left unconnected the meter will operate in a free running mode. When this pin is connected to the Common Pin 11, the meter display will be latched. A/D conversions will continue, but the display will not be updated until Pin 9 is disconnected from Pin 11.

Pin 10 - Display Test: When this pin is connected to the Common Pin 11, all segments of the display light up and 1888 is displayed. This is used to detect any missing segments in the display.

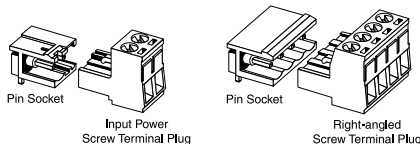
Pin 11 - Common: To Hold, Test or Dim the display, the respective pins have to be connected to this Common Pin.

Pin 12 - Dim/Blank: When this pin is connected to the Common Pin 11 the display is blanked out. If it is connected through an external 1K Ω pot, the display may be dimmed.

Pin 14 & 15 - AC/DC Power Input: These pins are the power pins of the meter and they only accept a special polarized screw terminal plug that can not be inserted into any other input socket. The standard meter has a auto sensing AC/DC power supply that operates from 85-265 VAC/95-300 VDC (PS1 Std). An optional isolated low voltage power supply that operates from 15-48 VAC/10-72 VDC (PS2) is also available.

Connectors

This meter uses plug-in type screw terminal connectors for all input and output connections. The power supply connections (pins 14 and 15) have a unique plug and socket outline to prevent cross connection. The main board uses standard right-angled connectors.

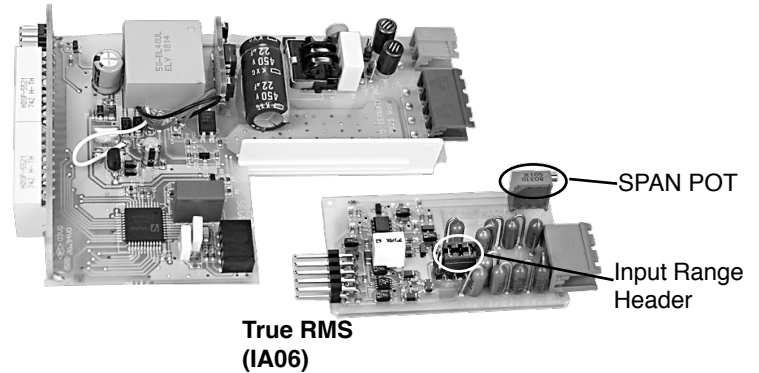


WARNING: AC and DC input signals and power supply voltages can be hazardous. Do Not connect live wires to screw terminal plugs, and do not insert, remove or handle screw terminal plugs with live wires connected.

Calibration Procedure

1. Select the required full scale voltage range by re-positioning the jumper clip on the Range Select Header. A range of 199.9V AC or 600V AC full scale may be selected.
2. Apply an input of 0 Volt AC to the meter by shorting the inputs. The meter will auto zero and display zero.
3. If you need to offset zero, order the Optional Zero Offset Pot and adjust until the meter reads 0000.
4. Apply a known high input signal that is within the full scale voltage range selected.
5. Adjust the Span Pot until the meter displays the required reading for the signal being applied.
6. The BX-35-ACV is now calibrated and ready for use.
(Whenever a new range is selected, re-calibration is required to meet the specified accuracy).

Component Layout

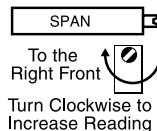


Signal Conditioning Components

INPUT RANGE Header

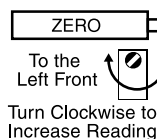


Range values are marked on the PCB. Two positions are provided. After selecting a new range with the single jumper clip, re-calibration is required.



SPAN Potentiometer (Pot)

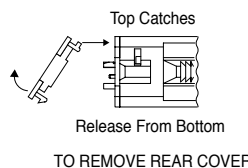
The 15 turn SPAN pot is always on the right side (as viewed from the back of the meter). Typical adjustment is 20% of the input signal range.



ZERO Potentiometer (Pot) (IA01 only)

The Optional ZERO pot when installed is always to the left of the SPAN pot (as viewed from the back of the meter). Typically it enables the displayed reading to be offset ± 100 counts.

Opening Back Panel

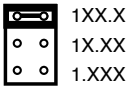


To open back panel, insert a flat screwdriver or similar instrument in both slots on the top of the case and pry open. The BX-Series meters slide out from the rear of the case as a complete assembly.

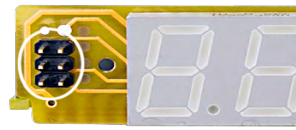
Decimal Point Selection



0.56" Display



Decimal Select Header



Decimal selection is made by moving the jumper to the indicated position on the header for the decimal required on the front of the display board.

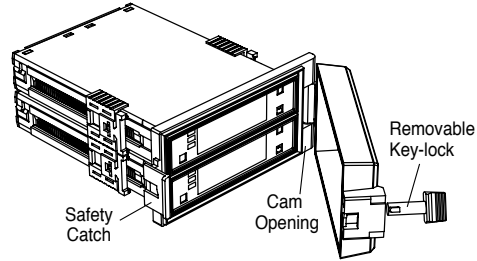
Installation Guidelines

1. Install and wire meter per local applicable codes/regulations, the particular application, and good installation practices.
2. Install meter in a location that does not exceed the maximum operating temperature and that provides good air circulation.
3. Separate input/output leads from power lines to protect the meter from external noise. Input/output leads should be routed as far away as possible from contactors, control relays, transformers and other noisy components. Shielding cables for input/output leads is recommended with shield connection to earth ground near the meter preferred.
4. A circuit breaker or disconnect switch is required to disconnect power to the meter. The breaker/switch should be in close proximity to the meter and marked as the disconnecting device for the meter or meter circuit. The circuit breaker or wall switch must be rated for the applied voltage (e.g., 120VAC or 240VAC) and current appropriate for the electrical application (e.g., 15A or 20A).
5. See *Case Dimensions* section for panel cutout information.
6. See *Connector Pinouts* section for wiring.
7. Use 28-12 AWG wiring, minimum 90°C (HH) temperature rating. Strip wire approximately 0.3 in. (7-8 mm).
8. Recommended torque on all terminal plug screws is 4.5 lb-in (0.51 N-m).



Clear Lockable Water-proof Cover

The clear lockable cover is designed to be dust and water proof to NEMA-4X, IP65 standards. The assembly consists of a base and cover with a cam hinge and key-lock fastening mechanism. An O-ring, or neoprene gasket forms a seal between the base and the panel. The cam hinge prevents the cover from closing when opened until pushed closed. The cover has a tapered recess that, when closed, forms a seal with a tapered spigot on the base. A key-lock employs a cam locking device to force the spigot into the recess, ensuring seal integrity. A safety catch keeps the cover closed even when the key is removed, and the keyhole can be used to attach a safety seal clip, preventing unauthorized opening.



Clear Lockable NEMA 4X Splash Proof Cover can accept two 1/16 DIN cases P/N:(OP-N4/96x48)



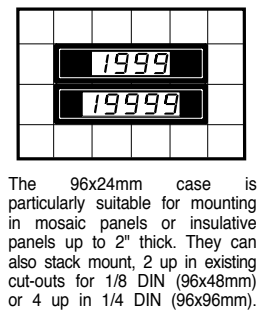
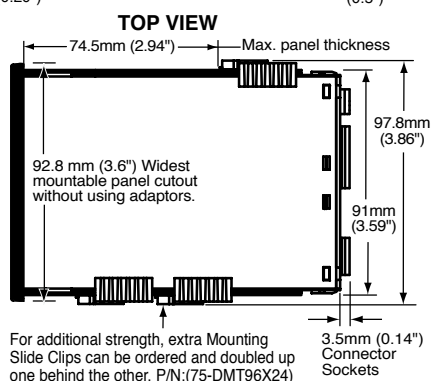
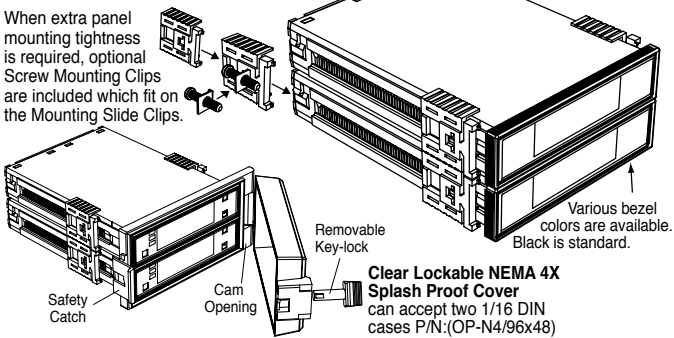
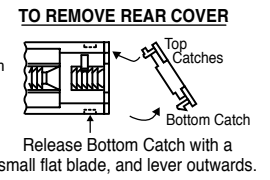
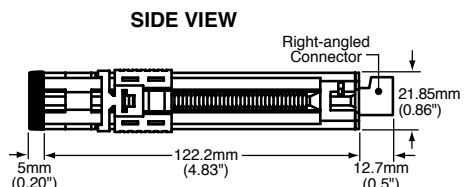
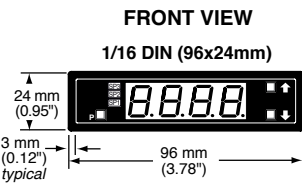
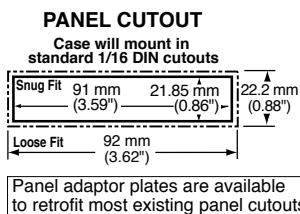
Optional Face Plate Descriptors

AC	3	3	KV	KVAR	m/min	Bz	RPM
V	mV	min	PF	F	C	COV	
DD	kVAC	µA	PSIG	mS	kg/cm ²	Hz	
KW	W	KWH	pH	%	R	RPS	
A	mbar	mA	MW	KA	RPS	MMV	
mV	µm	kV/S	I	I/sec	mi	cm	
DRP	mm/s	l/min	mm	kg/sec	lb	kg/d	
BT	bars	ml/p	mm/min	Mpass	mV	dB	

To customize the face plate, clear adhesive label containing various popular descriptors may be ordered. Choose the descriptor desired, peel off the adhesive backing and align the descriptor in the center right of the faceplate.

P.N.: 75-DESCRIPTR

BX Case Dimensions and Panel Cutouts



Ordering Information

Standard Options for this Model Number

Part Number	Description	List
-------------	-------------	------

► **BASIC MODEL NUMBER** Includes plug in type screw terminals, standard display and standard power supply unless optional versions are ordered.
BX-35-ACV AC Volts, True RMS.199.9/600V AC IA06.....

► DISPLAY

DR . . . Red LED, 0.56 inch high
DB . . . Super-bright Red LED, 0.56 inch high
DG . . . Green LED, 0.56 inch high

► POWER SUPPLY

PS1 . . 85-265VAC/95-300VDC
PS2 . . 15-48VAC/10-72VDC

Special Options and Accessories

Part Number	Description	List
-------------	-------------	------

► SPECIAL OPTIONS (Specify Inputs or Outputs & Req. Reading)

ZR Range Change from Standard Range shown in **BOLD** type
ZS Custom display scaling within standard ranges . . .

► ACCESSORIES (Specify Serial # for Custom Artwork Installation)

75-DBBZ96X24. Black Bezel for 96x24mm Case.
75-DMTC96X24 Side Slide Brackets (2 pc) - extra set, extra strength . . .
ART-FS-S/D. . . . NRC for artwork & set-up Faceplate/Desc.
ART-FS1 Install Custom Faceplate per meter - 1 color
93-PLUG2P-DP. Extra Screw Terminal Conn., 2 Pin Power Plug
93-PLUG2P-DR Extra Screw Terminal Conn., 2 Pin Plug.
93-PLUG3P-DR Extra Screw Terminal Conn., 3 Pin Plug.
93-PLUG4P-DR Extra Screw Terminal Conn., 4 Pin Plug.
DN.CAS96X24L Complete 96x24mm Case with bezel
OP-MTLCLIP. . . . Screw Mounting Clips (2 pc) to screw tighten slide brackets .
75-DTP96X24 . . . Black Metal Trim Plate (96x24mm Case) 1 Meter
75-DTP2X9624 . Black Metal Trim Plate (96x24mm Case) 2 Meters
75-DTP3X9624 . Black Metal Trim Plate (96x24mm Case) 3 Meters
OP-PMA/SWB-2 Switch Board Panel Mounting Adapter 2 Meters
OP-PMA/SWB-2 Switch Board Panel Mounting Adapter 3 Meters
75-DESCRIPTR. Clear adhesive descriptors label for face plate

WARRANTY

Texmate warrants that its products are free from defects in material and workmanship under normal use and service for a period of one year from date of shipment. Texmate's obligations under this warranty are limited to replacement or repair, at its option, at its factory, of any of the products which shall, within the applicable period after shipment, be returned to Texmate's facility, transportation charges pre-paid, and which are, after examination, disclosed to the satisfaction of Texmate to be thus defective. The warranty shall not apply to any equipment which shall have been repaired or altered, except by Texmate, or which shall have been subjected to misuse, negligence, or accident. In no case shall Texmate's liability exceed the original purchase price. The aforementioned provisions do not extend the original warranty period of any product which has been either repaired or replaced by Texmate.

USER'S RESPONSIBILITY

We are pleased to offer suggestions on the use of our various products either by way of printed matter or through direct contact with our sales/application engineering staff. However, since we have no control over the use of our products once they are shipped, NO WARRANTY WHETHER OF MERCHANTABILITY, FITNESS FOR PURPOSE, OR OTHERWISE is made beyond the repair, replacement, or refund of purchase price at the sole discretion of Texmate. Users shall determine the suitability of the proDXct for the intended application before using, and the users assume all risk and liability whatsoever in connection therewith, regardless of any of our suggestions or statements as to application or construction. In no event shall Texmate's liability, in law or otherwise, be in excess of the purchase price of the product.

Texmate cannot assume responsibility for any circuitry described. No circuit patent or software licenses are implied. Texmate reserves the right to change circuitry, operating software, specifications, and prices without notice at any time.



1934 Kellogg Ave., Carlsbad, CA 92008
Tel: 1-760-598-9899 • 1-800-TEXMATE
Fax: 1-760-598-9828 • Email: orders@texmate.com

BX-35-ACV Technical Manual Copyright © 2020 Texmate Inc. All rights reserved. Published by: Texmate Inc. USA. Information in this Technical Manual is subject to change without notice due to correction or enhancement. The information described in this manual is proprietary to Texmate, Inc. and may not be copied, reproduced or transmitted, in whole or in part, in connection with the design, manufacture, or sale of apparatus, device or private label product without the express written consent of Texmate, Inc.